

## **ALLROUNDER 470 C**

### **GOLDEN EDITION**

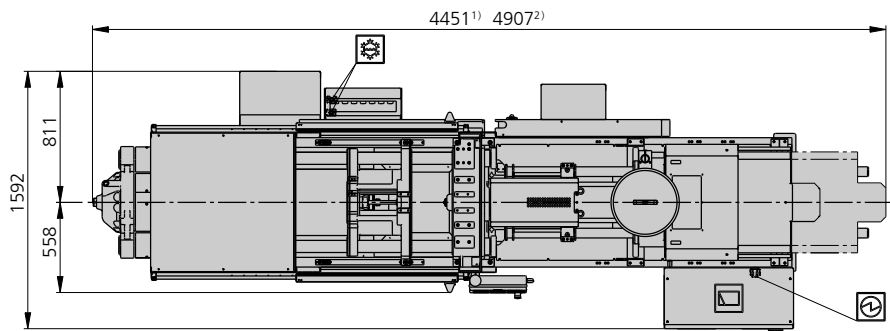
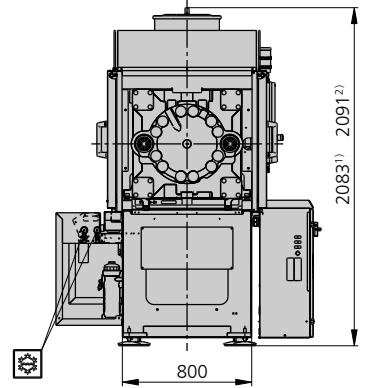
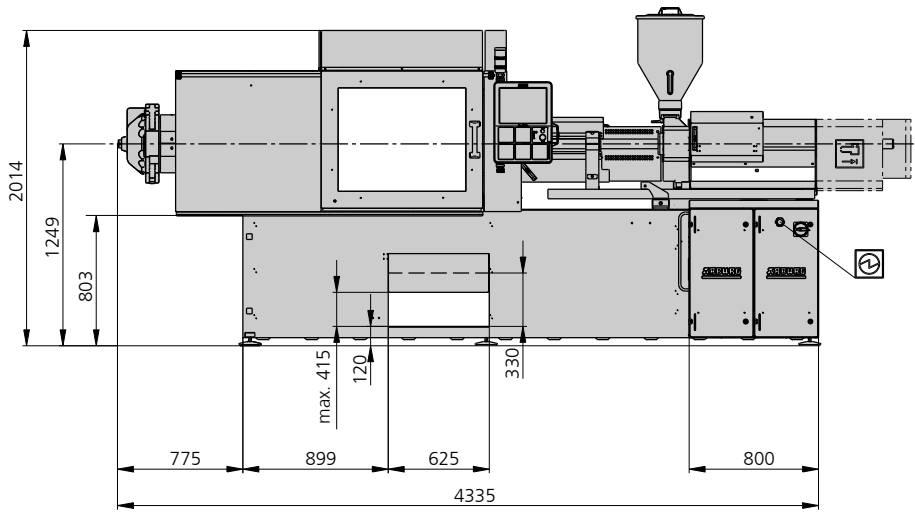
Distance between tie bars: 470 x 470 mm

Clamping force: 1500 kN

Injection unit (acc. to EUROMAP): 400, 800

**ARBURG**

# MACHINE DIMENSIONS | 470 C GOLDEN EDITION



Electrical connection



Cooling water connection

1) Injection unit 400  
 2) Injection unit 800  
 Drawing shows option T2 without ASH

# TECHNICAL DATA | 470 C GOLDEN EDITION

Clamping unit		470 C GOLDEN EDITION	
with clamping force	max. kN	1500	
Opening force   stroke	max. kN   mm	350   500	
Mould height, fixed   variable	min. mm	250   ---	
Platen daylight fixed   variable	max. mm	750   ---	
Distance between tie bars (w x h)	mm	470 x 470	
Mould mounting platens (w x h)	max. mm	650 x 650	
Weight of movable mould half	max. kg	800	
Ejector force   stroke	max. kN   mm	40   175	
Dry cycle time EUROMAP <sup>2</sup>	min. s - mm	1,8 - 329	

Injection unit		400			800		
with screw diameter	mm	35	40	45	45	50	55
Effective screw length	L/D	23	20	18	22	20	18
Screw stroke	max. mm	160			200		
Calculated stroke volume	max. cm <sup>3</sup>	154	201	254	318	392	474
Shot weight	max. g PS	141	184	232	291	359	434
Material throughput	max. kg/h PS	25	29	35	46	53	59
	max. kg/h PA6.6	12,5	15	17,5	23	27	30
Injection pressure	max. bar	2500	2000	1580	2470	2000	1650
Holding pressure	max. bar	2500	2000	1580	2470	2000	1650
Injection flow <sup>2</sup>	max. cm <sup>3</sup> /s	128	168	212	174	214	260
Screw circumferential speed <sup>2</sup>	max. m/min	47	53	60	54	60	66
Screw torque	max. Nm	480	550	610	880		
Nozzle contact force   retraction stroke	max. kN   mm	60   300			70   400		
Heating capacity   zones	kW	9,7   5			19,9   8		
Feed hopper	l	50			50		

Drive and connection		2 pumps	
with injection unit		400	800
Net weight of machine	kg	4850	5200
Sound press. level   Insecurity <sup>4</sup>	dB(A)	69   3	
Oil filling	l	200	
Drive power <sup>2</sup>	max. kW	18,5	22
Electrical connection <sup>3</sup>	kW	30	44
	Total	A	80
	Machine	A	---
	Heating	A	---
Cooling water connection	max. °C	30	
	min. Δp bar	1,5   DN 25	

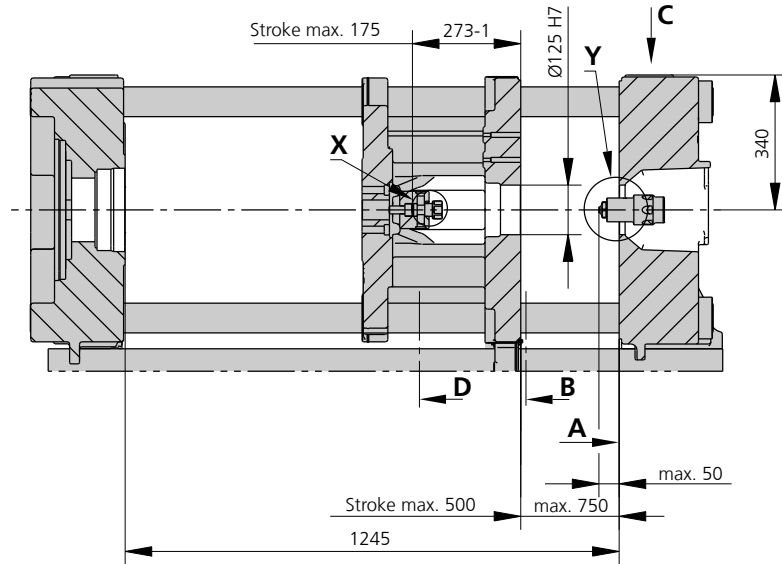
## Machine type

with EUROMAP size designation <sup>1</sup>  
470 C GOLDEN EDITION 1500-400 |800

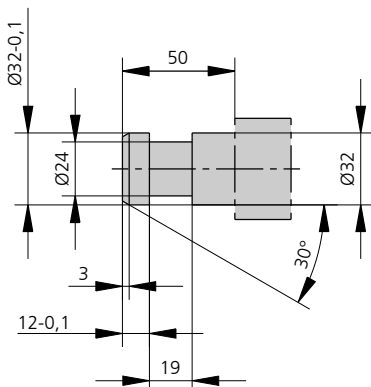
All specifications relate to the basic machine version. Deviations are possible depending on variants, process settings and material type. Depending on the drive, certain combinations, e.g. max. injection pressure and max. injection flow may be mutually exclusive.

- 1) Clamping force (kN) - size of injection unit = max. stroke volume (cm<sup>3</sup>) x max. injection pressure (kbar)
  - 2) Specifications depend on the drive variant / drive configuration.
  - 3) Specifications relate to 400 V/50 Hz.
  - 4) Detailed info in the operating instr.
- [ ] Specifications apply to alternative equipment.

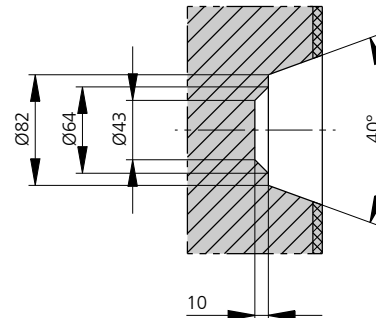
# MOULD INSTALLATION DIMENSIONS | 470 C GOLDEN EDITION



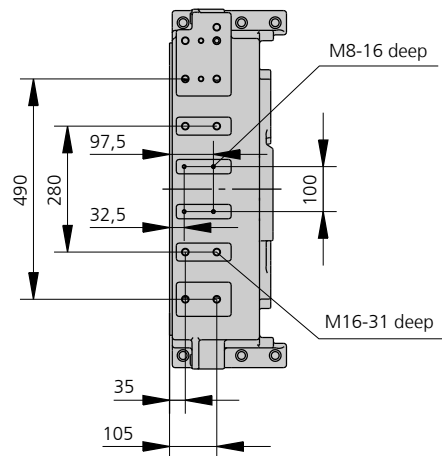
**Ejector bolt | X**



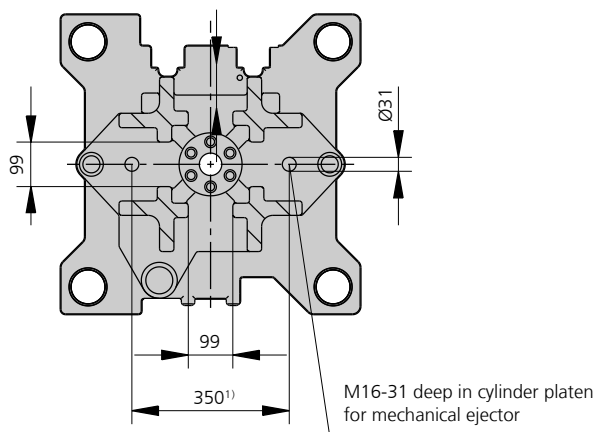
**Bore in mould (if required) | Y**



**Robotic system mounting | C**

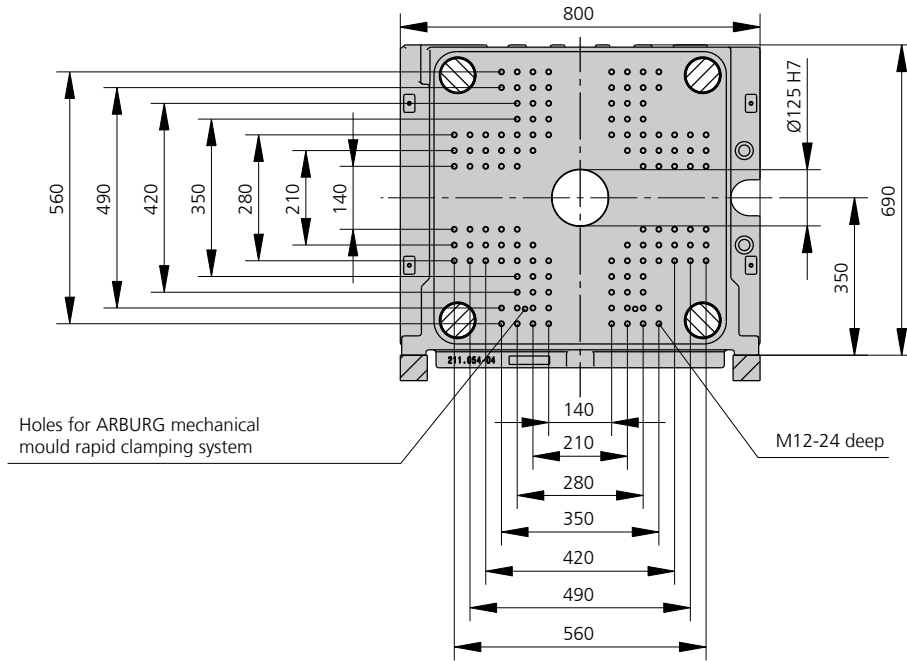


**D view**

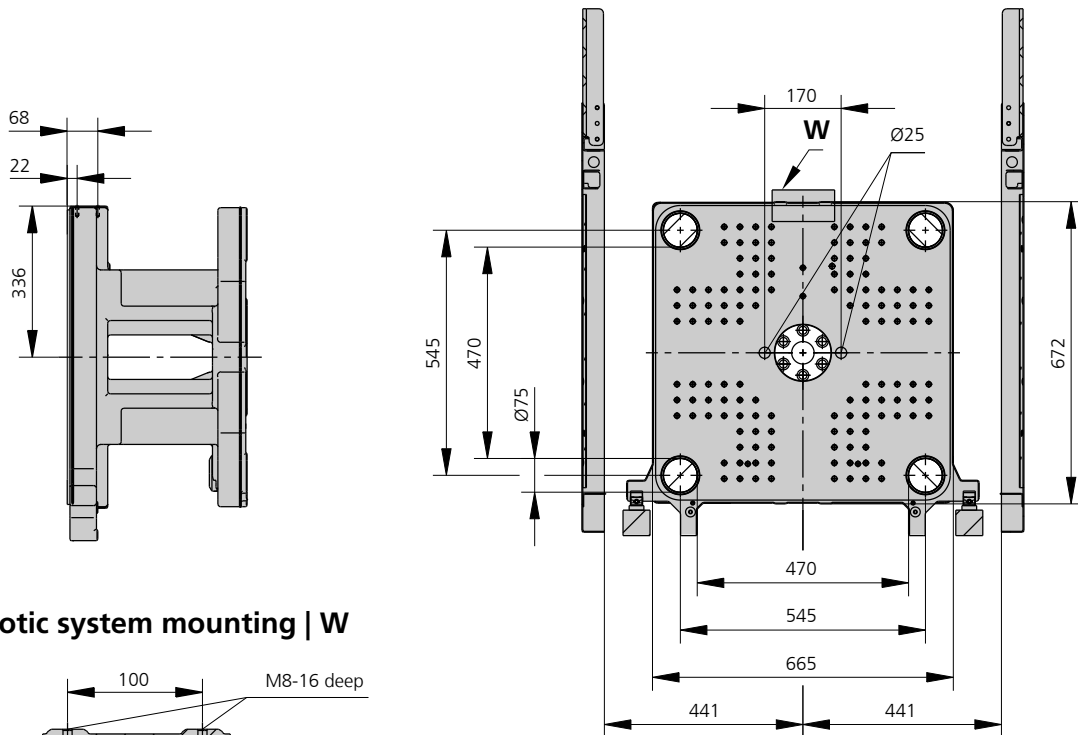


# MOULD INSTALLATION DIMENSIONS | 470 C GOLDEN EDITION

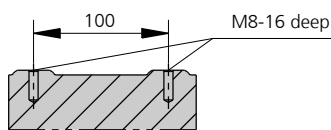
## Fixed mould mounting platen | A



## Moving mould mounting platen | B



## Robotic system mounting | W



# SHOT WEIGHTS | 470 C GOLDEN EDITION

## Theoretical shot weights for the most important injection moulding materials

Injection units according to EUROMAP		400			800		
Screw diameter	mm	35	40	45	45	50	55
Polystyrene	max. g PS	141	184	232	291	359	434
Styrene heteropolymerizates	max. g SB	137	179	227	284	350	424
	max. g SAN, ABS <sup>1)</sup>	135	176	223	278	344	416
Cellulose acetate	max. g CA <sup>1)</sup>	158	207	262	327	404	488
Celluloseacetobutyrate	max. g CAB <sup>1)</sup>	147	192	243	304	375	454
Polymethyl methacrylate	max. g PMMA	145	190	240	300	371	449
Polyphenylene ether, mod.	max. g PPE	131	171	216	270	333	403
Polycarbonate	max. g PC	148	193	244	305	377	456
Polysulphone	max. g PSU	153	199	252	316	390	471
Polyamides	max. g PA 6.6   PA 6 <sup>1)</sup>	140	183	231	289	357	431
	max. g PA 6.10   PA 11 <sup>1)</sup>	131	171	216	270	333	403
Polyoximethylene (Polyacetal)	max. g POM	174	227	287	359	443	536
Polyethylene terephthalate	max. g PET	167	219	277	346	427	517
Polyethylene	max. g PE-LD	106	139	176	219	271	328
	max. g PE-HD	110	143	181	227	280	339
Polypropylene	max. g PP	112	146	185	232	286	346
Fluoropolymerides	max. g FEP, PFA, PCTFE <sup>1)</sup>	225	294	372	465	574	695
	max. g ETFE	196	256	324	408	504	609
Polyvinyl chloride	max. g PVC-U	170	222	281	351	434	525
	max. g PVC-P <sup>1)</sup>	157	205	260	324	401	485

1) average value

**ARBURG GmbH + Co KG**  
 Arthur-Hehl-Strasse  
 72290 Lossburg  
 Tel.: +49 7446 33-0  
[www.arburg.com](http://www.arburg.com)  
[contact@arburg.com](mailto:contact@arburg.com)