

## ALLROUNDER 370 S

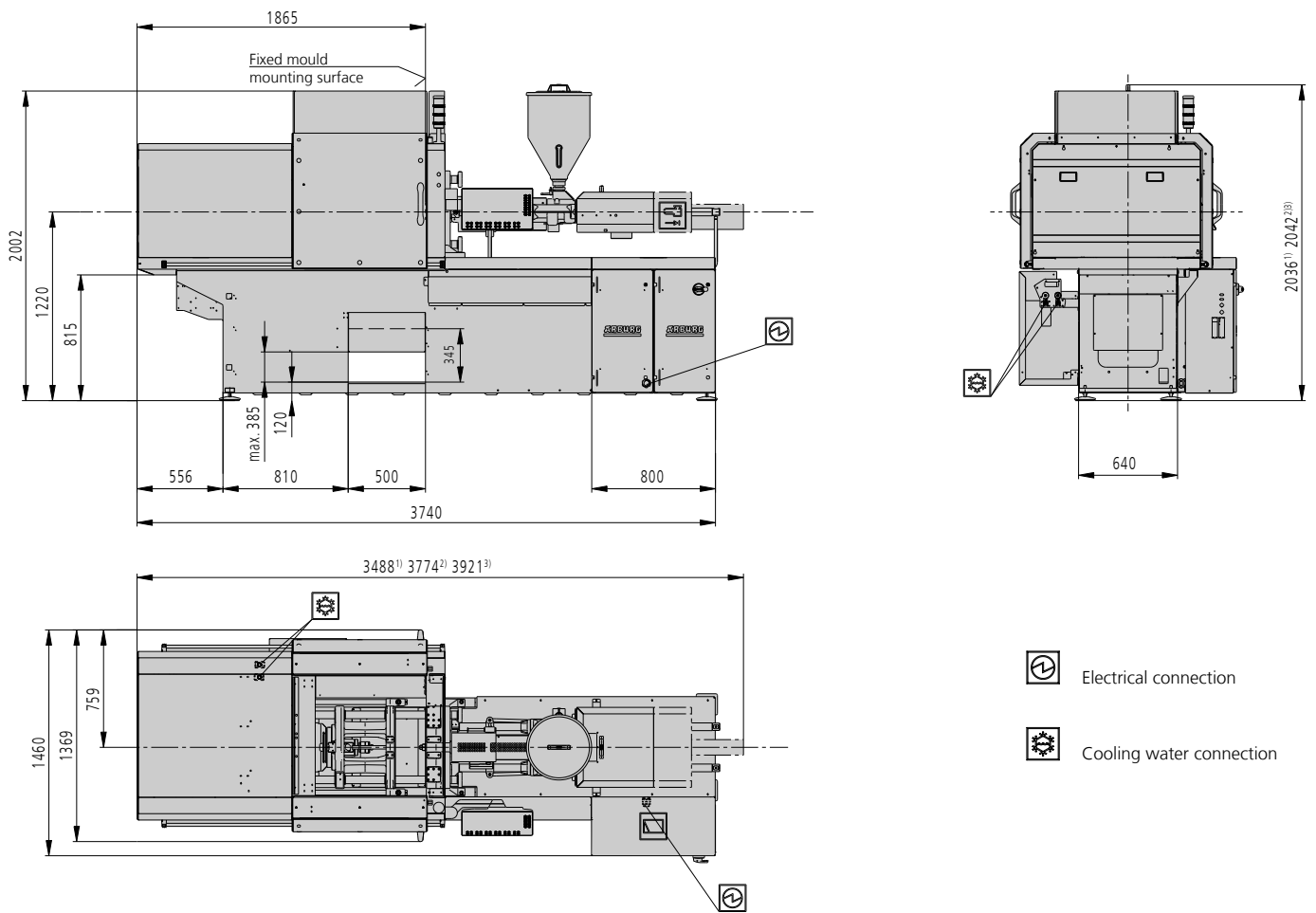
Distance between tie bars: 370 x 370 mm

Clamping force: 500, 600, 700 kN

Injection unit (acc. to EUROMAP): 100, 170, 290

**ARBURG**

# MACHINE DIMENSIONS | 370 S



1) injection unit 100  
 2) injection unit 170  
 3) injection unit 290

# TECHNICAL DATA | 370 S

Clamping unit			370 S		
with clamping force	max. kN		500	600	700
Opening force   stroke	max. kN   mm		160   400		
Mould height, fixed   variable	min. mm		200   ---		
Platen daylight fixed   variable	max. mm		600   ---		
Distance between tie bars (w x h)	mm		370 x 370		
Mould mounting platens (w x h)	max. mm		510 x 510		
Weight of movable mould half	max. kg		360		
Ejector force   stroke	max. kN   mm		30   125		
Dry cycle time EUROMAP <sup>2</sup>	1 pump	min. s - mm	2,1   1,9 - 259		
	2 pumps	min. s - mm	1,4 - 259		
	Accum.	min. s - mm	1,3 - 259		

Injection unit			100			170			290		
with screw diameter	mm		20	25	30	25	30	35	30	35	40
Effective screw length	L/D		25	20	16,7	24	20	17	23,3	20	17,5
Screw stroke	max. mm		100			120			150		
Calculated stroke volume	max. cm <sup>3</sup>		31	49	71	59	85	115	106	144	188
Shot weight	max. g PS		29	45	65	54	77	105	97	132	172
Material throughput	max. kg/h PS		5,5	8	9,5	10	13,5	16	17	20,5	24,5
	max. kg/h PA6.6		2,8	4	4,9	5	7	8	8,5	10,5	12,5
Injection pressure	max. bar		2500	2000	1390	2500	2000	1470	2500	2000	1530
Holding pressure	max. bar		2500	2000	1390	2500	2000	1470	2500	2000	1530
Injection flow <sup>2</sup>	1 pump	max. cm <sup>3</sup> /s	90	142	204	94	136	186	102	140	182
	2 pumps	max. cm <sup>3</sup> /s	90	142	204	94	136	186	102	140	182
	Accum.	max. cm <sup>3</sup> /s	172	268	388	216	312	424	316	430	562
Screw circumferential speed <sup>2</sup>	1 pump	max. m/min	39	49	59	349	59	69	46	54	62
	2 pumps	max. m/min	39	49	59	349	59	69	46	54	62
	Accum.	max. m/min	11	14	17	14	17	19	20	24	27
Screw torque	max. Nm		120	150	180	210	250	290	320	380	430
Nozzle contact force   retraction stroke	max. kN   mm		50   180			50   210			60   240		
Heating capacity   zones	kW		6,7   5			9   5			7,7   5		
Feed hopper	l		50			50			50		

Drive and connection			1 pump			2 pumps			Accum.		
with injection unit			100	170	290	100	170	290	100	170	290
Net weight of machine	kg		3200	3250	3300	3200	3250	3300	---		
Sound press. level   Insecurity <sup>4</sup>	dB(A)		67   3			67   3			67   3		
Oil filling	l		135			135			150		
Drive power <sup>2</sup>	max. kW		15			15			15		
Electrical connection <sup>3</sup>	kW		22	27	24	22	27	23	22	27	23
	Total	A	63	80	80	63	80	80	63	80	80
	Machine	A	---			---			---		
	Heating	A	---			---			---		
Cooling water connection	max. °C		30			30			30		
	min. Δp bar		1,5   DN 25			1,5   DN 25			1,5   DN 25		

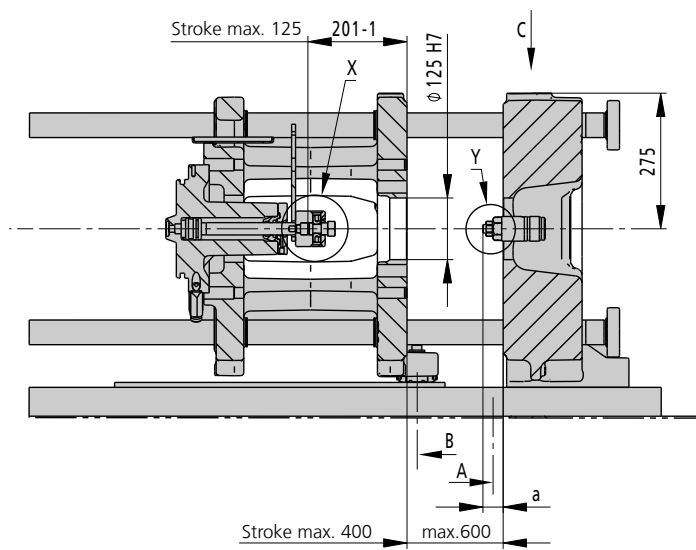
Machine type		Drive
with EUROMAP size designation <sup>1</sup>		
370 S 500-100   170   290		1   2   -
370 S 600-100   170   290		1   2   -
370 S 700-100   170   290		-   2   Accum.

### Upon request: other machine types and mould installation heights, screws, drive powers etc.

All specifications relate to the basic machine version. Deviations are possible depending on variants, process settings and material type. Depending on the drive, certain combinations, e.g. max. injection pressure and max. injection flow may be mutually exclusive.

- 1) Clamping force (kN) - size of injection unit = max. stroke volume (cm<sup>3</sup>) x max. injection pressure (kbar).
  - 2) Specifications depend on the drive config. - 1st value applies to the lowest clamping force.
  - 3) Specifications relate to 400 V/50 Hz.
  - 4) Detailed info in the operating instr.
- [ ] Specifications apply to alternative equipment.

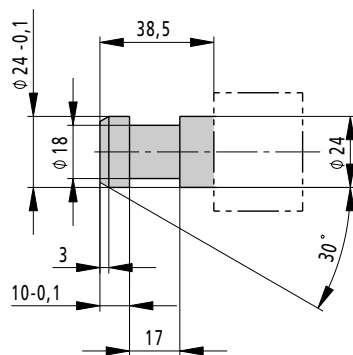
# MOULD INSTALLATION DIMENSIONS | 370 S



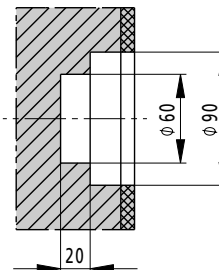
a max.	Injection unit
	100 / 170 / 290
<b>Standard</b>	40
<b>Thermoset</b>	20

Dimensions for horizontally displaceable injection unit (VARIO principle) reduced by 20 mm

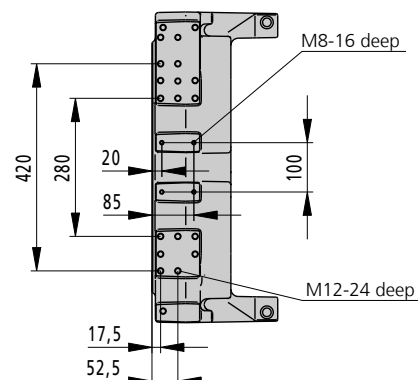
## Ejector bolt | X



## Bore in mould (if required) | Y

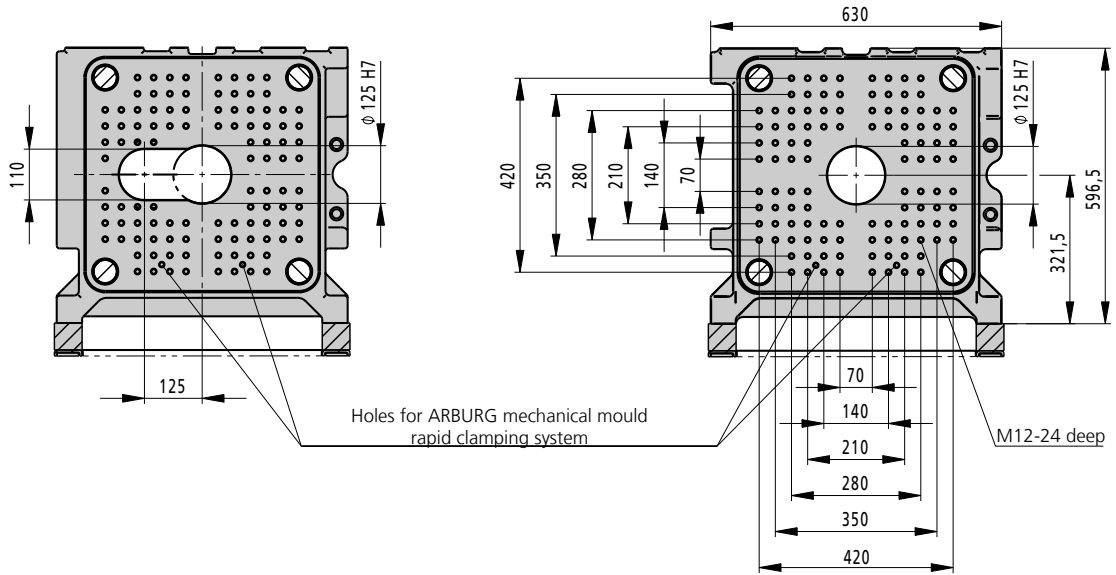


## Robotic system mounting | E

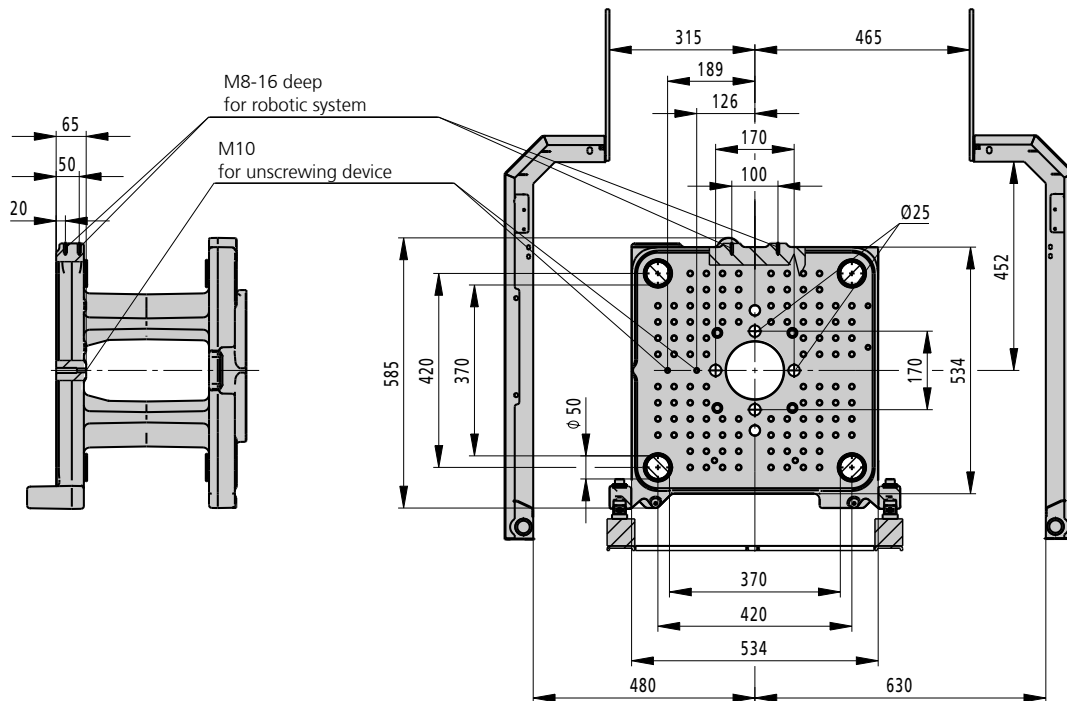


# MOULD INSTALLATION DIMENSIONS | 370 S

## Fixed mould mounting platen | A



## Moving mould mounting platen | B



# SHOT WEIGHTS | 370 S

## Theoretical shot weights for the most important injection moulding materials

Injection units according to EUROMAP		100			170			290		
Screw diameter	mm	20	25	30	25	30	35	30	35	40
Polystyrene	max. g PS	29	45	65	54	77	105	97	132	172
Styrene heteropolymerizates	max. g SB	28	44	63	53	76	103	95	129	168
	max. g SAN, ABS <sup>1)</sup>	27	43	62	52	74	101	93	126	165
Cellulose acetate	max. g CA <sup>1)</sup>	32	50	73	61	87	119	109	148	194
Celluloseacetobutyrate	max. g CAB <sup>1)</sup>	30	47	68	56	81	110	101	138	180
Polymethyl methacrylate	max. g PMMA	30	46	67	56	80	109	100	136	178
Polyphenylene ether, mod.	max. g PPE	27	42	60	50	72	98	90	122	160
Polycarbonate	max. g PC	30	47	68	57	81	111	102	139	181
Polysulphone	max. g PSU	31	49	70	58	84	115	105	143	187
Polyamides	max. g PA 6.6   PA 6 <sup>1)</sup>	28	44	64	53	77	104	96	131	171
	max. g PA 6.10   PA 11 <sup>1)</sup>	26	41	60	50	72	98	90	122	160
Polyoximethylene (Polyacetal)	max. g POM	35	55	80	66	96	130	120	163	213
Polyethylene terephthalate	max. g PET	34	53	77	64	92	126	115	157	205
Polyethylene	max. g PE-LD	22	34	49	41	59	80	73	100	130
	max. g PE-HD	22	35	50	42	60	82	76	103	134
Polypropylene	max. g PP	23	36	51	43	62	84	77	105	137
Fluoropolymerides	max. g FEP, PFA, PCTFE <sup>1)</sup>	46	72	103	86	124	169	155	211	276
	max. g ETFE	40	63	91	76	109	148	136	185	242
Polyvinyl chloride	max. g PVC-U	35	54	78	65	94	127	117	159	208
	max. g PVC-P <sup>1)</sup>	32	50	72	60	87	118	108	147	192

1) average value

**ARBURG GmbH + Co KG**  
 Arthur-Hehl-Strasse  
 72290 Lossburg  
 Tel.: +49 7446 33-0  
 www.arburg.com  
 contact@arburg.com