

ALLROUNDER 570 H

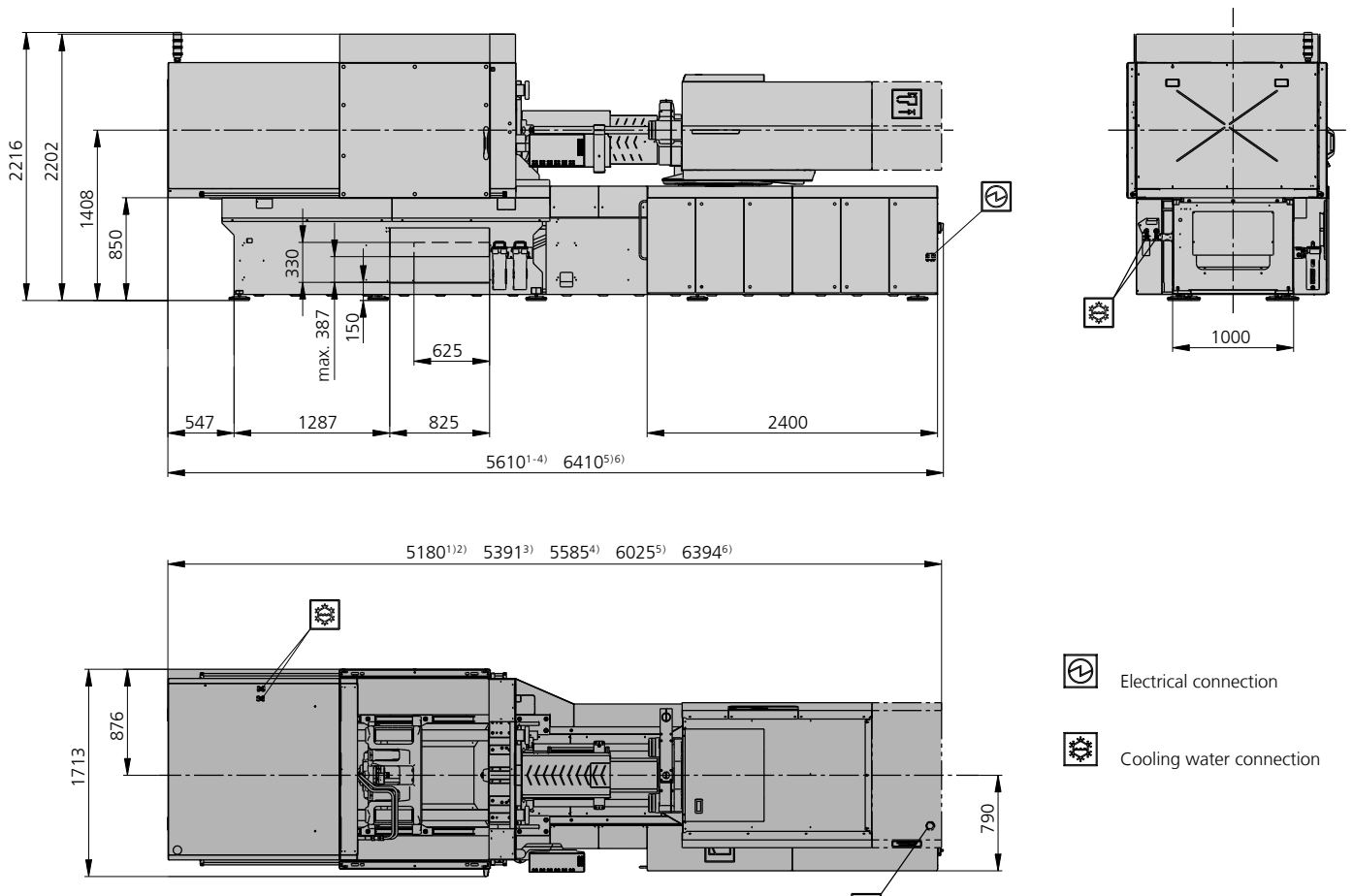
Distance between tie bars: 570 x 570 mm

Clamping force: 2000 kN

Injection unit (acc. to EUROMAP): 400, 800, 1300

ARBURG

MACHINE DIMENSIONS | 570 H



- 1) Injection unit 400 Comfort
- 2) Injection unit 400 Premium/Ultimate
- 3) Injection unit 800 Comfort
- 4) Spritzeinheit 800 Premium/Ultimate
- 5) Injection unit 1300 Comfort
- 6) Injection unit 1300 Premium/Ultimate

TECHNICAL DATA | 570 H

Clamping unit			570 H		
with clamping force	max. kN		2000		
Opening force stroke	max. kN mm		--- 450		
Mould height, fixed variable	min.-max. mm		--- 250-550		
Platen daylight fixed variable	max. mm		--- 700-1000		
Distance between tie bars (w x h)	mm		570 x 570		
Mould mounting platens (w x h)	max. mm		795 x 795		
Weight of movable mould half	max. kg		1300		
Ejector force stroke	max. kN mm		60 200		
Dry cycle time EUROMAP	Comfort	min. s - mm	1,8 - 399		
	Premium	min. s - mm	1,5 - 399		
	Ultimate	min. s - mm	1,2 - 399		

Injection unit			400			800			1300		
with screw diameter	mm		35	40	45	45	50	55	55	60	70
Effective screw length	L/D		23	20	18	22	20	18	22	20	17
Screw stroke	max. mm		160			200			240		
Calculated stroke volume	max. cm ³		154	201	254	318	392	474	570	678	923
Shot weight	max. g PS		141	184	232	291	359	434	521	620	844
Material throughput	max. kg/h PS		25	29	35	46	53	59	86	96	115
	max. kg/h PA6.6		12,5	15	17,5	23	27	30	43	48	58
Injection pressure	max. s - bar		2500	2000	1580	2470	2000	1650	2380	2000	1470
Holding pressure time ²	max. s - bar		45-2500	45-2000	45-1580	45 - 2470	45 - 2000	45 - 1650	45 - 2380	45 - 2000	45 - 1470
Injection flow ³	Comfort	max. cm ³ /s	164	214	270	223	275	333	333	396	539
	Premium	max. cm ³ /s	241	314	398	398	491	594	428	509	693
	Ultimate	max. cm ³ /s	385	503	636	557	687	832	713	848	1155
Injection speed ³	Comfort	max. mm/s	170			140			140		
	Premium	max. mm/s	250			250			180		
	Ultimate	max. mm/s	400			334			300		
Screw circumferential speed	Comfort	max. m/min	47 [53]	53 [60]	60 [68]	54 [54]	60 [60]	66 [66]	40 [55]	43 [60]	51 [70]
	Premium	max. m/min	53	60	68	54	60	66	55	60	70
	Ultimate	max. m/min	53	60	68	54	60	66	55	60	70
Screw torque	max. Nm		480	550	610	900	1000	1100	1510	1640	1920
Nozzle contact force retraction stroke	max. kN mm		60 400			70 400			90 550		
Heating capacity zones	kW		9,8 5			19,9 8			22,9 8		

Drive and connection			Comfort			Premium			Ultimate		
with injection unit			400	800	1300	400	800	1300	400	800	1300
Net weight of machine	kg		9050	9750	10750	9050	9750	10750	9050	9750	10750
Sound press. level Insecurity ⁵	dB(A)		67 3			67 3			67 3		
Oil filling	l		235	235	260	235	235	260	235	235	310
Electrical connection ⁴	kW		30	50	67	34	58	71	39	62	76
	Total	A	125			125			125		
	Machine	A	---			---			---		
	Heating	A	---			---			---		
Cooling water connection	max. °C		30			30			30		
	min. Δp bar		1,5 DN 25			1,5 DN 25			1,5 DN 25		

Machine type

with EUROMAP size designation ¹

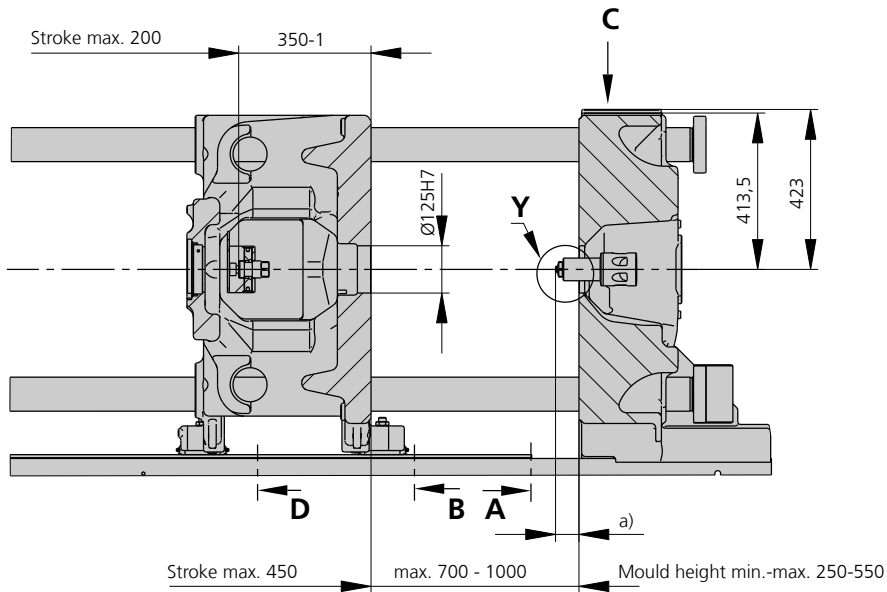
570 H 2000-400 | 800 | 1300

Upon request: other machine types and mould installation heights, screws, drive powers etc.

All specifications relate to the basic machine version. Deviations are possible depending on variants, process settings and material type. Depending on the drive, certain combinations, e.g. max. injection pressure and max. injection flow may be mutually exclusive.

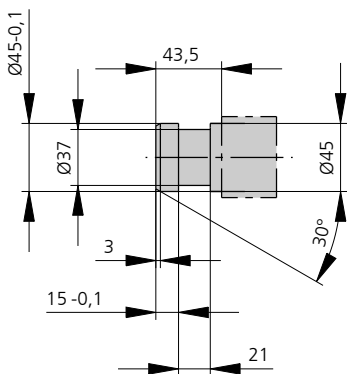
- 1) Clamping force (kN) - size of injection unit = max. stroke volume (cm³) x max. injection pressure (kbar)
 - 2) Specifications depend on the drive variant / drive configuration.
 - 3) Specifications relate to 400 V/50 Hz.
 - 4) Detailed info in the operating instr.
- [] Specifications apply to alternative equipment.

MOULD INSTALLATION DIMENSIONS | 570 H

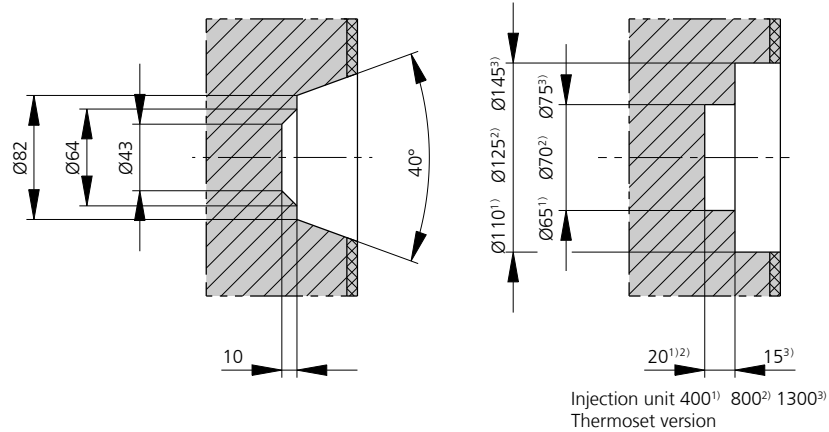


a max.	Injection unit	
		400/800
	50	60

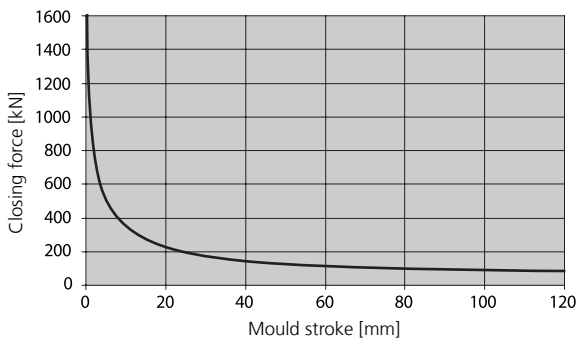
Ejector bolt | X



Bore in mould (if required) | Y

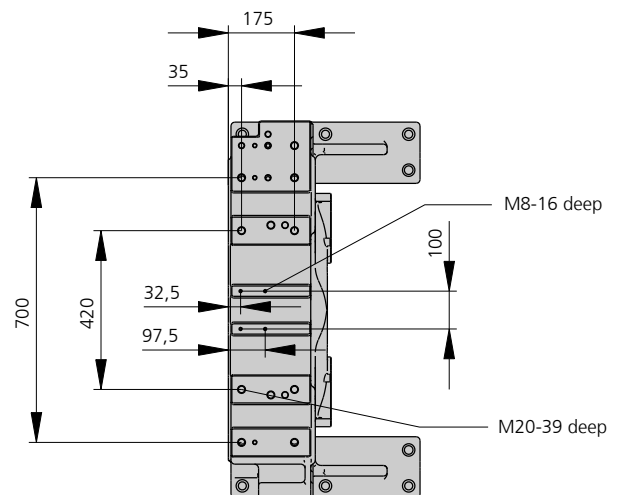


Closing force for spring moulds / during injection compression moulding*



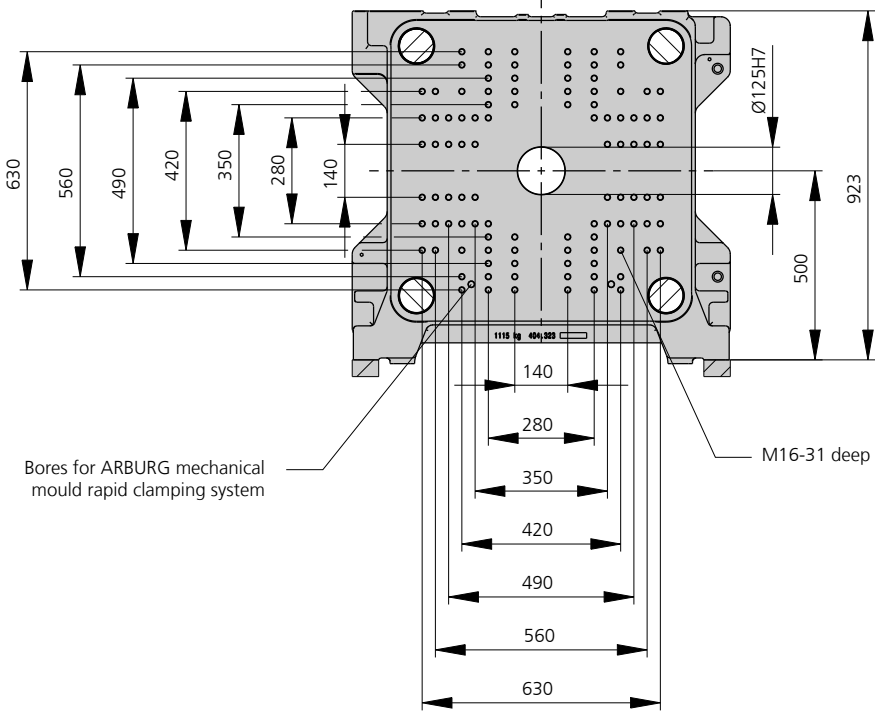
* automatic locking force adjustment up to 30 kN

Robotic system mounting | C

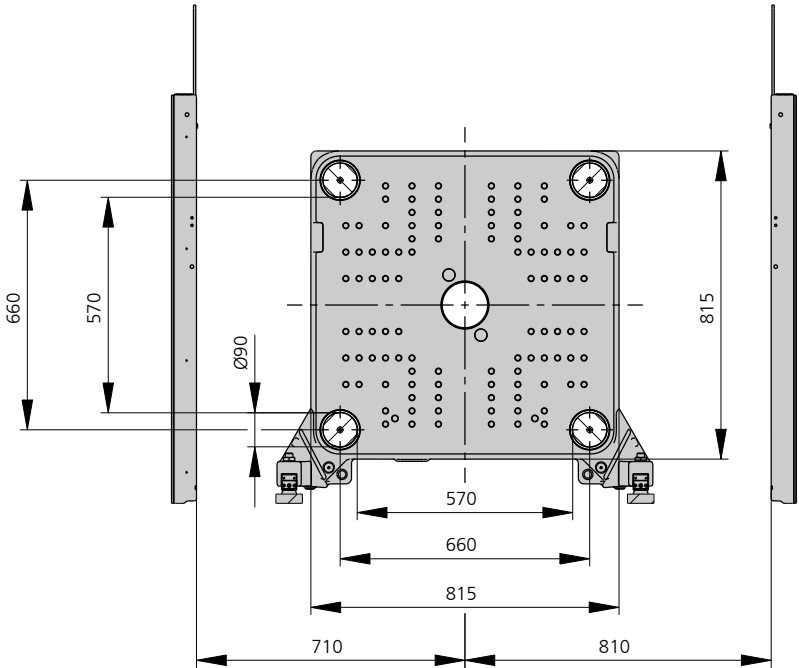


MOULD INSTALLATION DIMENSIONS | 570 H

Fixed mould mounting platen | A



Moving mould mounting platen | B



SHOT WEIGHTS | 570 H

Theoretical shot weights for the most important injection moulding materials

Injection units according to EUROMAP		400			800			1300		
Screw diameter	mm	35	40	45	45	50	55	55	60	70
Polystyrene	max. g PS	141	184	232	291	359	434	521	620	844
Styrene heteropolymerizates	max. g SB	137	179	227	284	350	424	509	606	824
	max. g SAN, ABS ¹⁾	135	176	223	278	344	416	499	594	808
Cellulose acetate	max. g CA ¹⁾	158	207	262	327	404	488	586	698	949
Celluloseacetobutyrate	max. g CAB ¹⁾	147	192	243	304	375	454	545	649	883
Polymethyl methacrylate	max. g PMMA	145	190	240	300	371	449	538	641	872
Polyphenylene ether, mod.	max. g PPE	131	171	216	270	333	403	484	575	783
Polycarbonate	max. g PC	148	193	244	305	377	456	547	651	887
Polysulphone	max. g PSU	153	199	252	316	390	471	566	673	916
Polyamides	max. g PA 6.6 PA 6 ¹⁾	140	183	231	289	357	431	517	616	838
	max. g PA 6.10 PA 11 ¹⁾	131	171	216	270	333	403	473	575	783
Polyoximethylene (Polyacetal)	max. g POM	174	227	287	359	443	536	643	765	1042
Polyethylene terephthalate	max. g PET	167	219	277	346	427	517	620	738	1005
Polyethylene	max. g PE-LD	106	139	176	219	271	328	393	468	637
	max. g PE-HD	110	143	181	227	280	339	406	483	658
Polypropylene	max. g PP	112	146	185	232	286	346	415	494	672
Fluoropolymerides	max. g FEP, PFA, PCTFE ¹⁾	225	294	372	465	574	695	834	992	1350
	max. g ETFE	196	256	324	408	504	609	731	870	1185
Polyvinyl chloride	max. g PVC-U	170	222	281	351	434	525	629	749	1020
	max. g PVC-P ¹⁾	157	205	260	324	401	485	582	692	942

1) average value

ARBURG GmbH + Co KG
 Arthur-Hehl-Strasse
 72290 Lossburg
 Tel.: +49 7446 33-0
www.arburg.com
contact@arburg.com