

ALLROUNDER 570 A

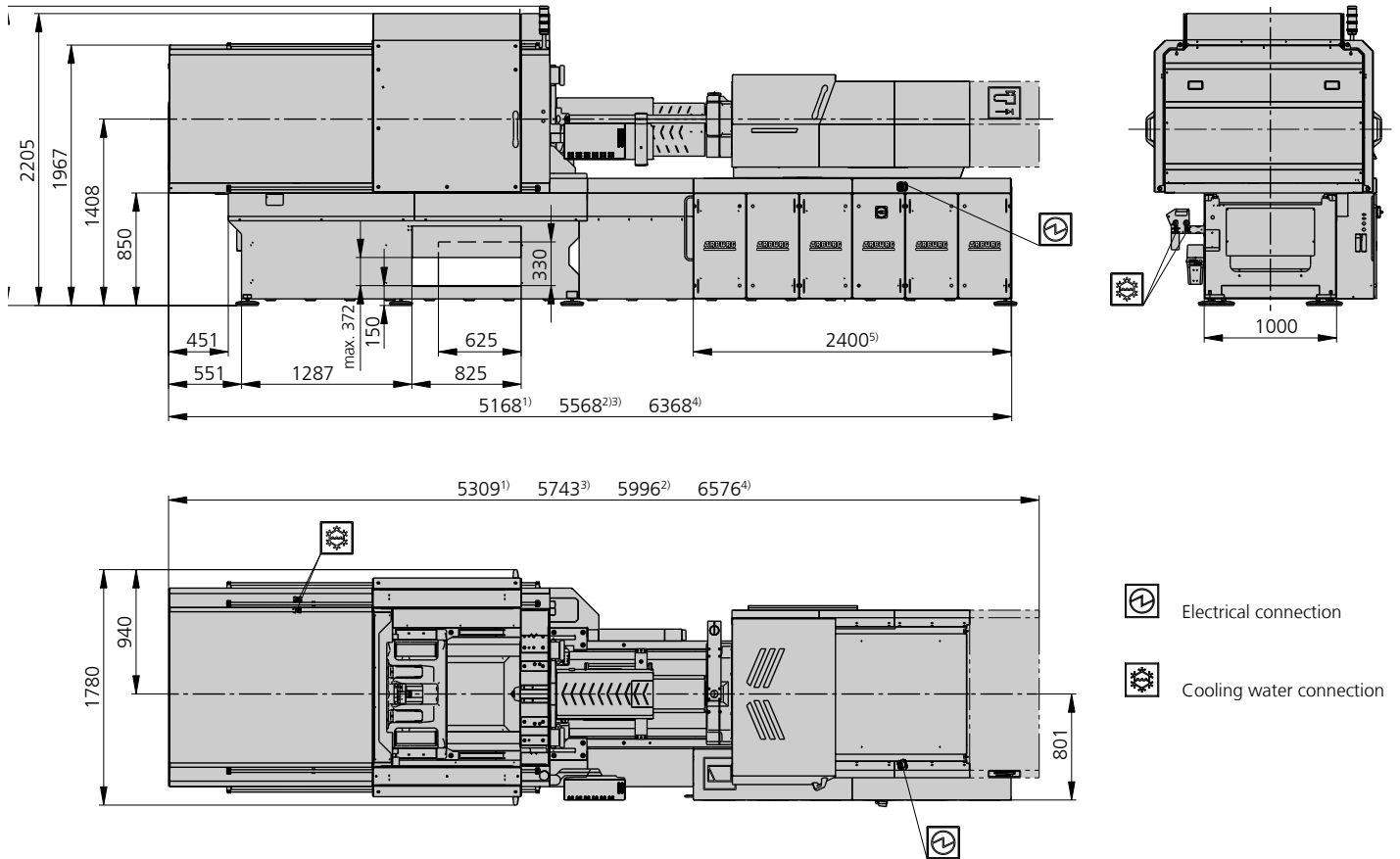
Distance between tie bars: 570 x 570 mm

Clamping force: 2000 kN

Injection unit (acc. to EUROMAP): 400, 800, 1300

ARBURG

MACHINE DIMENSIONS | 570 A



- 1) Injection unit 400
- 2) Injection unit 800 COMFORT (253 mm longer with COMFORT performance variant in horizontal arrangement)
- 3) Injection unit 800 PREMIUM/ULTIMATE
- 4) Injection unit 1300
- 5) Control cabinet length can vary depending on the power and size of the injection unit

TECHNICAL DATA | 570 A

Clamping unit			570 A		
with clamping force	max. kN		2000		
Opening force stroke	max. kN mm		--- 450		
Mould height, fixed variable	min.-max. mm		--- 250-550		
Platen daylight fixed variable	max. mm		--- 700-1000		
Distance between tie bars (w x h)	mm		570 x 570		
Mould mounting platens (w x h)	max. mm		795 x 795		
Weight of movable mould half	max. kg		1300		
Ejector force stroke	max. kN mm		60 200		
Dry cycle time EUROMAP	Comfort	min. s - mm	1,8 - 399		
	Premium	min. s - mm	1,5 - 399		
	Ultimate	min. s - mm	1,2 - 399		

Injection unit			400			800			1300		
with screw diameter	mm		35	40	45	45	50	55	55	60	70
Effective screw length	L/D		23	20	18	22	20	18	22	20	17
Screw stroke	max. mm		160			200			240		
Calculated stroke volume	max. cm ³		154	201	254	318	392	474	570	678	923
Shot weight	max. g PS		141	184	232	291	359	434	521	620	844
Material throughput	max. kg/h PS		25	29	35	46	53	59	86	96	115
	max. kg/h PA6.6		12,5	15	17,5	23	27	30	43	48	58
Injection pressure	max. bar		2500	2000	1580	2470	2000	1650	2380	2000	1470
Holding pressure time	max. s - bar		300-2090	300-1600	300-1260	300-1980	300-1600	300-1320	300-1900	300-1600	300-1170
Injection flow ²	Comfort [+]	max. cm ³ /s	125 [163]	163 [213]	207 [271]	175 [239]	216 [295]	261 [356]	261 [356]	311 [424]	423 [577]
	Premium	max. cm ³ /s	163	213	271	239	295	356	356	424	577
	Ultimate [+]	max. cm ³ /s	241 [313]	314 [408]	398 [517]	318 [477]	394 [591]	476 [714]	475	565	770
Injection speed ⁵	Comfort [+]	max. mm/s	190 [240]			150 [200]			110 [150]		
	Premium	max. mm/s	240			200			200		
	Ultimate [+]	max. mm/s	300 325			240 [300]			200		
Screw circumferential speed	max. m/min		53	60	68	54	60	66	55	60	70
Screw torque	max. Nm		480	550	610	900	1000	1100	1510	1640	1920
Nozzle contact force retraction stroke	max. kN mm		60 300			70 400			90 500		
Heating capacity zones	kW		9,7 5			19,9 8			22,9 8		
Feed hopper	l		---			---			---		

Drive and connection			Comfort			Premium			Ultimate		
with injection unit			400	800	1300	400	800	1300	400	800	1300
Net weight of machine	kg		8850	9650	10850	8850	9650	10850	8850	9650	10850
Sound press. level Insecurity ⁴	dB(A)		63 3			63 3			63 3		
Electrical connection ³		kW	30	49	65	35	53	69	35	53	69
	Total	A	80	125	160	100	125	160	100	125	160
	Machine	A	---			---			---		
	Heating	A	---			---			---		
Cooling water connection	max. °C		30			30			30		
	min. Δp bar		1,5 DN 25			1,5 DN 25			1,5 DN 25		

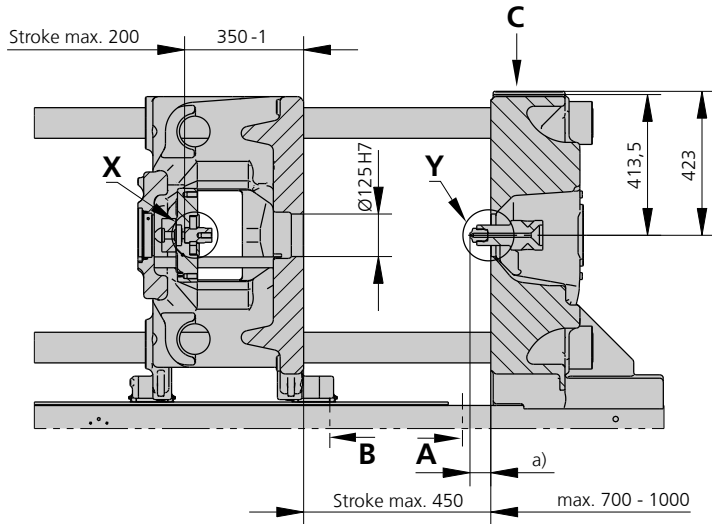
Machine type	
with EUROMAP size designation ¹	570 A 2000-400 800 1300

Upon request: other machine types and mould installation heights, screws, drive powers etc.

All specifications relate to the basic machine version. Deviations are possible depending on variants, process settings and material type. Depending on the drive, certain combinations, e.g. max. injection pressure and max. injection flow may be mutually exclusive.

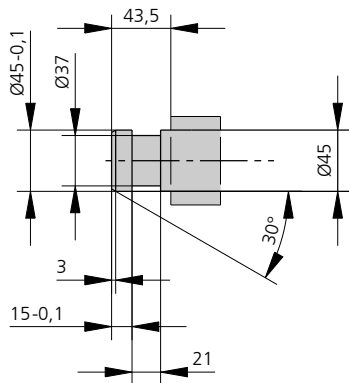
- 1) Clamping force (kN) - size of injection unit = max. stroke volume (cm³) x max. injection pressure (kbar)
 - 2) Specification of maximum injection flow at maximum injection pressure.
 - 3) Specifications relate to 400 V/50 Hz.
 - 4) Emission sound pressure level at the workplace. Detailed information in the operating instructions.
 - 5) Forward speed of plasticising screw at 1000 bar injection pressure.
- [] Specifications apply to alternative equipment.

MOULD INSTALLATION DIMENSIONS | 570 A

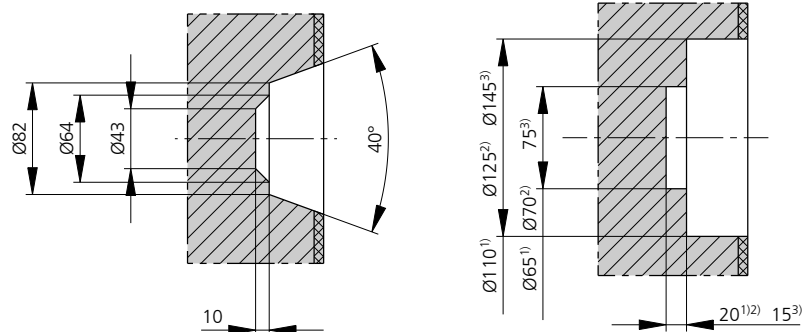


a max.	Injection unit	
	400 / 800	1300
Standard	50	60
Thermoset	50	60

Ejector bolt | X

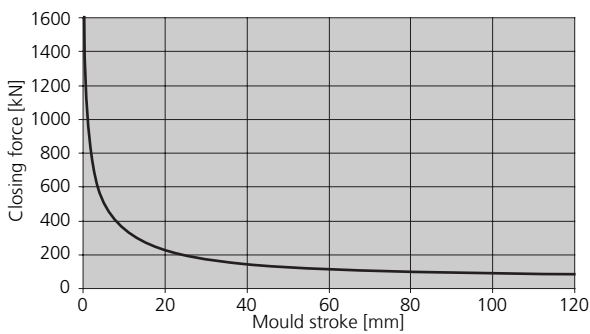


Bore in mould (if required) | Y



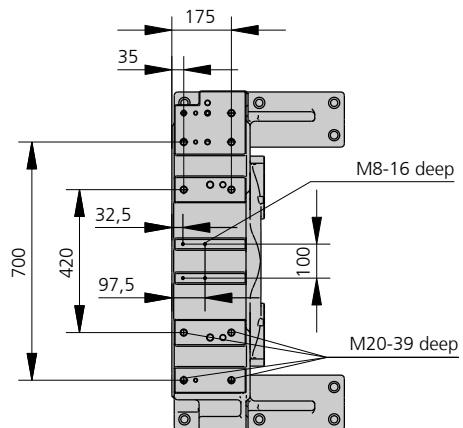
Injection unit 400¹⁾ / 800²⁾ / 1300³⁾
Thermoset version

Closing force for spring moulds / during injection compression moulding*



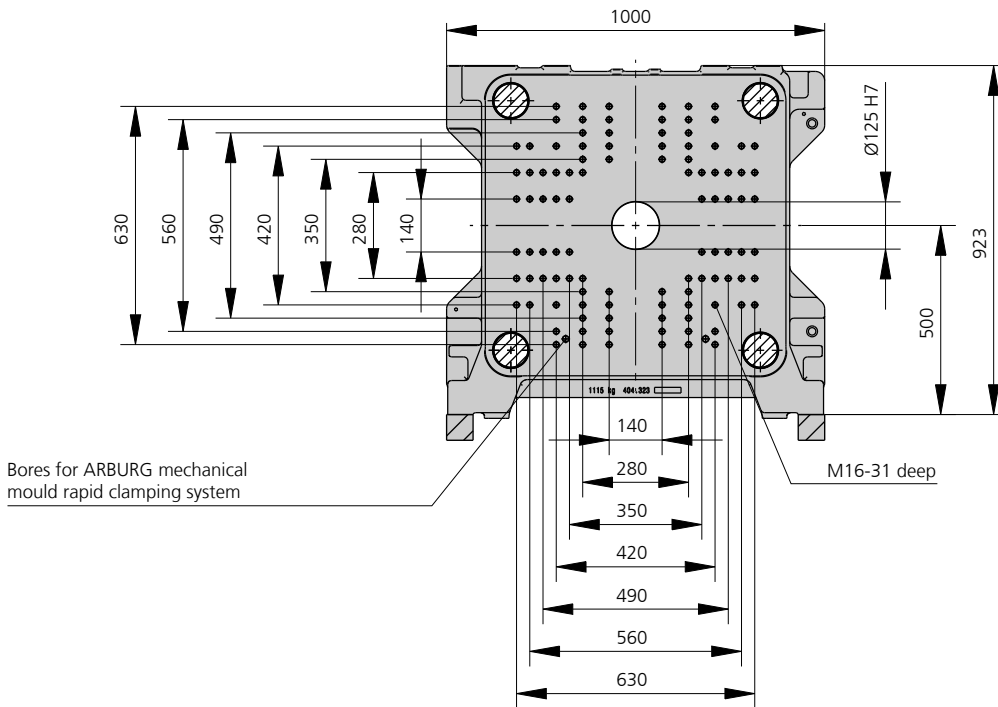
* automatic locking force adjustment up to 30 kN

Robotic system mounting | C

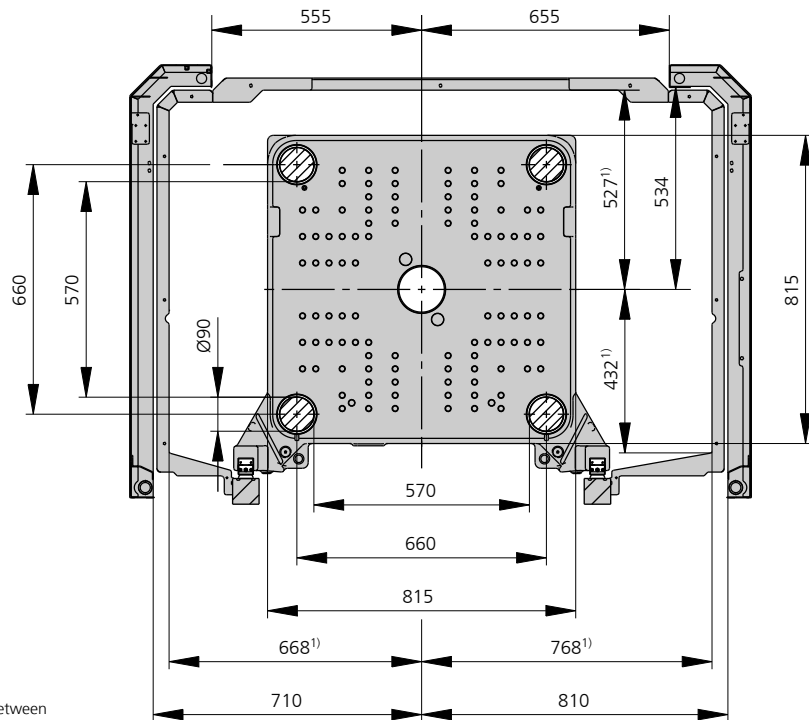


MOULD INSTALLATION DIMENSIONS | 570 A

Fixed mould mounting platen | A



Moving mould mounting platen | B



1) Dimensions are valid for a distance between mould mounting platens of 960 mm or more

SHOT WEIGHTS | 570 A

Theoretical shot weights for the most important injection moulding materials

Injection units according to EUROMAP		400			800			1300		
Screw diameter	mm	35	40	45	45	50	55	55	60	70
Polystyrene	max. g PS	141	184	232	291	359	434	510	607	826
Styrene heteropolymerizates	max. g SB	137	179	227	284	350	424	498	593	807
	max. g SAN, ABS ¹⁾	135	176	223	278	344	416	488	581	791
Cellulose acetate	max. g CA ¹⁾	158	207	262	327	404	488	574	683	930
Celluloseacetobutyrate	max. g CAB ¹⁾	147	192	243	304	375	454	534	635	865
Polymethyl methacrylate	max. g PMMA	145	190	240	300	371	449	527	627	854
Polyphenylene ether, mod.	max. g PPE	131	171	216	270	333	403	473	563	767
Polycarbonate	max. g PC	148	193	244	305	377	456	536	638	868
Polysulphone	max. g PSU	153	199	252	316	390	471	554	659	897
Polyamides	max. g PA 6.6 PA 6 ¹⁾	140	183	231	289	357	431	507	603	821
	max. g PA 6.10 PA 11 ¹⁾	131	171	216	270	333	403	473	563	767
Polyoximethylene (Polyacetal)	max. g POM	174	227	287	359	443	536	630	749	1020
Polyethylene terephthalate	max. g PET	167	219	277	346	427	517	607	723	984
Polyethylene	max. g PE-LD	106	139	176	219	271	328	385	458	624
	max. g PE-HD	110	143	181	227	280	339	398	473	644
Polypropylene	max. g PP	112	146	185	232	286	346	406	484	658
Fluoropolymerides	max. g FEP, PFA, PCTFE ¹⁾	225	294	372	465	574	695	816	971	1322
	max. g ETFE	196	256	324	408	504	609	716	852	1160
Polyvinyl chloride	max. g PVC-U	170	222	281	351	434	525	616	734	998
	max. g PVC-P ¹⁾	157	205	260	324	401	485	569	678	922

1) average value

ARBURG GmbH + Co KG

Arthur-Hehl-Strasse
72290 Lossburg
Tel.: +49 7446 33-0
www.arburg.com
contact@arburg.com