

ALLROUNDER 370 A

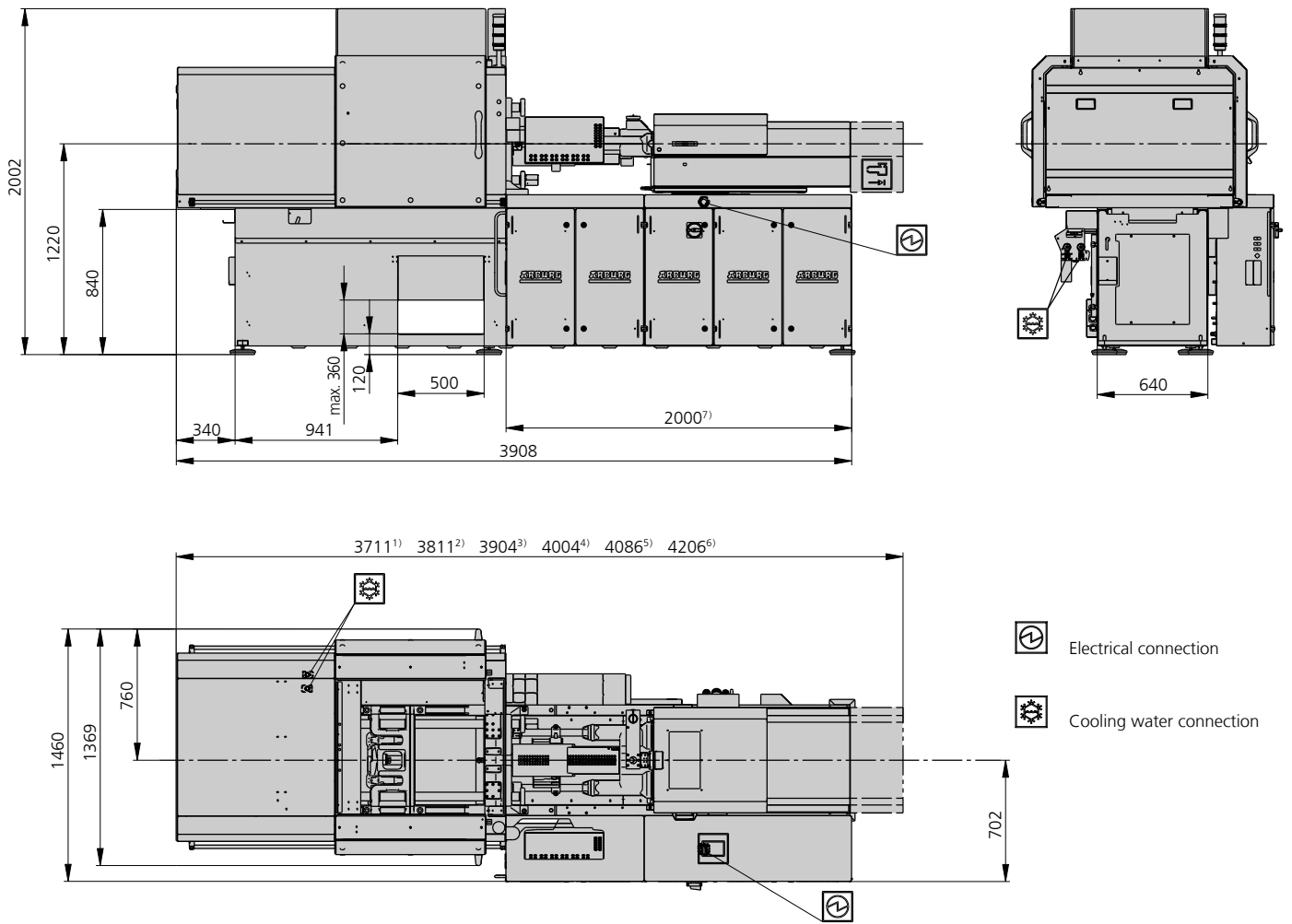
Distance between tie bars: 370 x 370 mm

Clamping force: 600 kN

Injection unit (acc. to EUROMAP): 100, 170, 290

ARBURG

MACHINE DIMENSIONS | 370 A



- 1) Injection unit 100 Comfort
- 2) Injection unit 100 Premium/Ultimate
- 3) Injection unit 170 Comfort
- 4) Injection unit 170 Premium/Ultimate
- 5) Injection unit 290 Comfort
- 6) Injection unit 290 Premium/Ultimate
- 7) Depending on the performance and size of the injection unit

TECHNICAL DATA | 370 A

Clamping unit			370 A		
with clamping force	max. kN		600		
Opening force stroke	max. kN mm		--- 300		
Mould height, fixed variable	min.-max. mm		--- 200-400		
Platen daylight fixed variable	max. mm		--- 500-700		
Distance between tie bars (w x h)	mm		370 x 370		
Mould mounting platens (w x h)	max. mm		510 x 510		
Weight of movable mould half	max. kg		360		
Ejector force stroke	max. kN mm		25 100		
Dry cycle time EUROMAP	Comfort	min. s - mm	1,2 - 259		
	Premium	min. s - mm	1 - 259		
	Ultimate	min. s - mm	0,8 - 259		

Injection unit			100			170			290		
with screw diameter	mm		20	25	30	25	30	35	30	35	40
Effective screw length	L/D		25	20	16,7	24	20	17	23,3	20	17,5
Screw stroke	max. mm		100			120			150		
Calculated stroke volume	max. cm ³		31	49	71	59	85	115	106	144	188
Shot weight	max. g PS		29	45	65	54	77	105	97	132	172
Material throughput	max. kg/h PS		5,5	8	9,5	10	13,5	16	17	20,5	24,5
	max. kg/h PA6.6		2,8	4	4,9	5	7	8	8,5	10,5	12,5
Injection pressure	max. bar		2500	2000	1390	2500	2000	1470	2500	2000	1530
Holding pressure time	max. s - bar		300-2500	300-1600	300-1110	300-2310	300-1600	300-1170	300-2180	300-1600	300-1220
Injection flow ²	Comfort [+]	max. cm ³ /s	64 [83]	100 [130]	144 [187]	79 [104]	114 [150]	155 [203]	105 [140]	144 [191]	188 [250]
	Premium	max. cm ³ /s	83	130	187	104	150	203	140	191	250
	Ultimate [+]	max. cm ³ /s	94 [125]	148 [197]	214 [285]	148 [197]	214 [285]	290 [387]	212 [283]	288 [384]	376 [501]
Injection speed ⁵	Comfort [+]	max. mm/s	280 [350]			215 [280]			215 [280]		
	Premium	max. mm/s	350			280			280		
	Ultimate [+]	max. mm/s	350 [400]			350 [400]			350 [400]		
Screw circumferential speed	max. m/min		40	50	60	50	60	70	51	60	69
Screw torque	max. Nm		120	150	180	210	250	290	320	380	430
Nozzle contact force retraction stroke	max. kN mm		50 230			50 300			50 300		
Heating capacity zones	kW		6,7 5			9 5			7,7 5		
Feed hopper	l		50			50			50		

Drive and connection			Comfort			Premium			Ultimate		
with injection unit			100	170	290	100	170	290	100	170	290
Net weight of machine	kg		3740	3740	3800	3740	3740	3800	3740	3740	3800
Sound press. level Insecurity ⁴	dB(A)		66 3			66 3			66 3		
Electrical connection ³		kW	13	19	20	18	24	25	18	24	25
	Total	A	50	63	63	63	80	80	63	80	80
	Machine	A		---			---			---	
	Heating	A		---			---			---	
Cooling water connection	max. °C		30			30			30		
	min. Δp bar		1,5 DN 25			1,5 DN 25			2 DN 25		

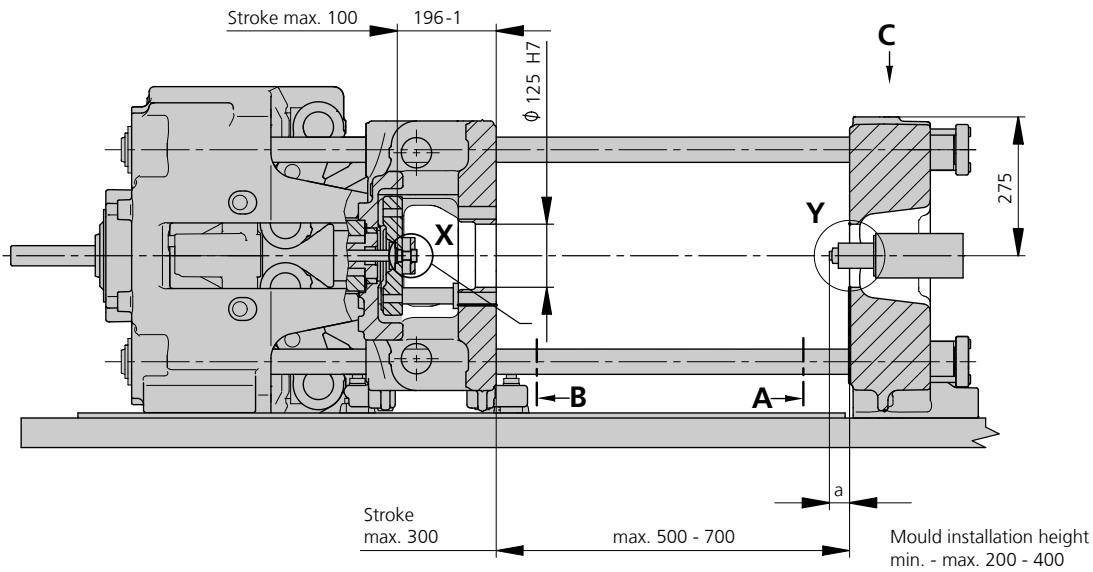
Machine type
with EUROMAP size designation ¹
370 A 600-100 | 170 | 290

Upon request: other machine types and mould installation heights, screws, drive powers etc.

All specifications relate to the basic machine version. Deviations are possible depending on variants, process settings and material type. Depending on the drive, certain combinations, e.g. max. injection pressure and max. injection flow may be mutually exclusive.

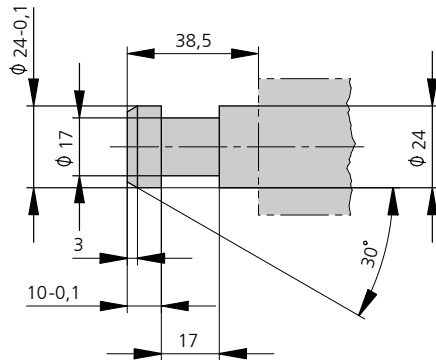
- 1) Clamping force (kN) - size of injection unit = max. stroke volume (cm³) x max. injection pressure (kbar)
 - 2) Specification of maximum injection flow at maximum injection pressure.
 - 3) Specifications relate to 400 V/50 Hz.
 - 4) Emission sound pressure level at the workplace. Detailed information in the operating instructions.
 - 5) Forward speed of plasticising screw at 1000 bar injection pressure.
- [] Specifications apply to alternative equipment.

MOULD INSTALLATION DIMENSIONS | 370 A

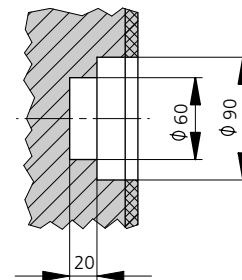


a max.	Injection unit
	100 / 170 / 290
Standard	40
Thermoset	20

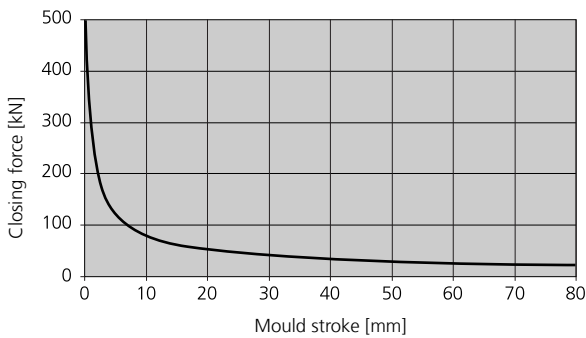
Ejector bolt | X



Bore in mould (if required) | Y

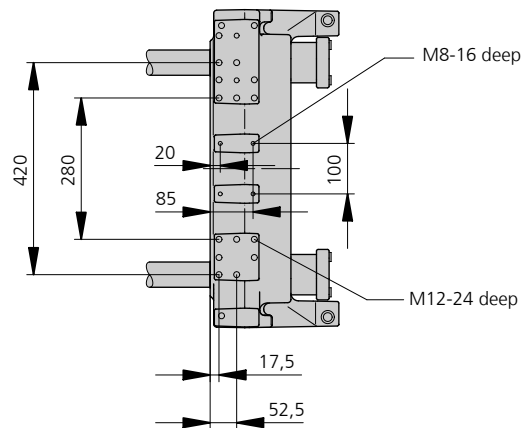


Closing force for spring moulds / during injection compression moulding*



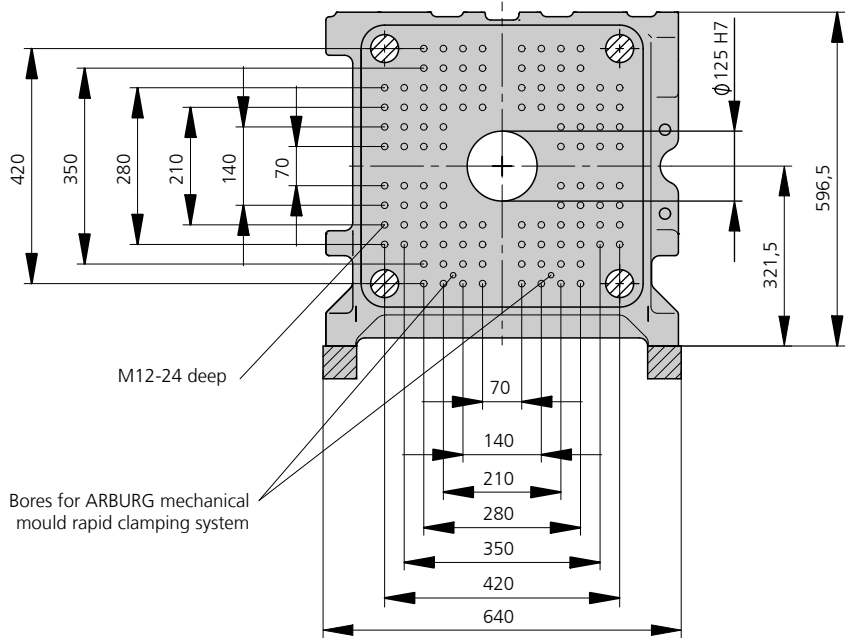
* automatic locking force adjustment up to 20 kN

Robotic system mounting | C

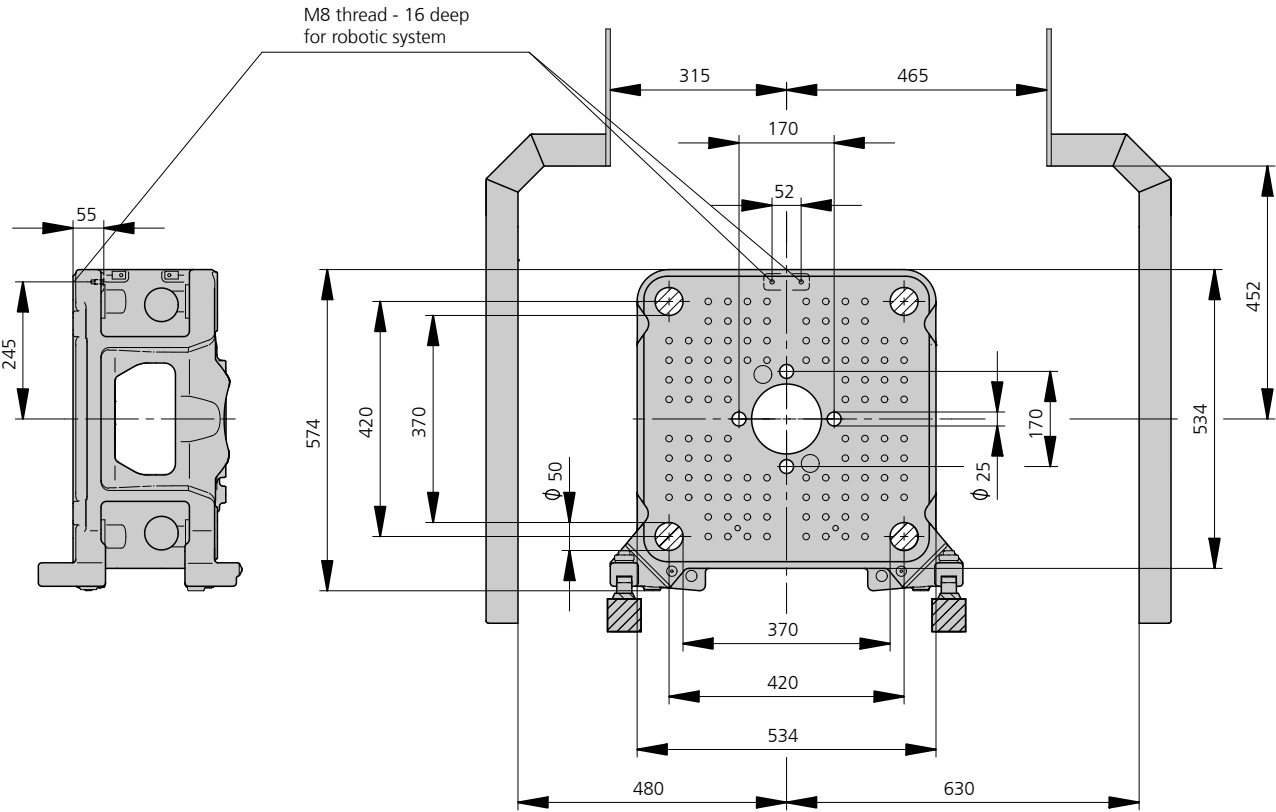


MOULD INSTALLATION DIMENSIONS | 370 A

Fixed mould mounting platen | A



Moving mould mounting platen | B



SHOT WEIGHTS | 370 A

Theoretical shot weights for the most important injection moulding materials

Injection units according to EUROMAP		100			170			290		
Screw diameter	mm	20	25	30	25	30	35	30	35	40
Polystyrene	max. g PS	29	45	65	54	77	105	97	132	172
Styrene heteropolymerizates	max. g SB	28	44	63	53	76	103	95	129	168
	max. g SAN, ABS ¹⁾	27	43	62	52	74	101	93	126	165
Cellulose acetate	max. g CA ¹⁾	32	50	73	61	87	119	109	148	194
Celluloseacetobutyrate	max. g CAB ¹⁾	30	47	68	56	81	110	101	138	180
Polymethyl methacrylate	max. g PMMA	30	46	67	56	80	109	100	136	178
Polyphenylene ether, mod.	max. g PPE	27	42	60	50	72	98	90	122	160
Polycarbonate	max. g PC	30	47	68	57	81	111	102	139	181
Polysulphone	max. g PSU	31	49	70	58	84	115	105	143	187
Polyamides	max. g PA 6.6 PA 6 ¹⁾	28	44	64	53	77	104	96	131	171
	max. g PA 6.10 PA 11 ¹⁾	26	41	60	50	72	98	90	122	160
Polyoximethylene (Polyacetal)	max. g POM	35	55	80	66	96	130	120	163	213
Polyethylene terephthalate	max. g PET	34	53	77	64	92	126	115	157	205
Polyethylene	max. g PE-LD	22	34	49	41	59	80	73	100	130
	max. g PE-HD	22	35	50	42	60	82	76	103	134
Polypropylene	max. g PP	23	36	51	43	62	84	77	105	137
Fluoropolymerides	max. g FEP, PFA, PCTFE ¹⁾	46	72	103	86	124	169	155	211	276
	max. g ETFE	40	63	91	76	109	148	136	185	242
Polyvinyl chloride	max. g PVC-U	35	54	78	65	94	127	117	159	208
	max. g PVC-P ¹⁾	32	50	72	60	87	118	108	147	192

1) average value

ARBURG GmbH + Co KG
 Arthur-Hehl-Strasse
 72290 Lossburg
 Tel.: +49 7446 33-0
 www.arburg.com
 contact@arburg.com