



FLEXLIFT

Robots with intelligence,
flexibility and precision.

ARBURG

BEST OF THE BEST

The smart robot-system
you were looking for.

Productivity and reliability count in every market. That's why we offer our new FLEXLIFT robotic system specifically for your requirements. Precise, fast and reliable. Integrated complete solutions that allow you to start production directly. We make everything possible. You also have a single contact – from the customised design of a production unit, to commissioning and world-wide service offerings!

WIR SIND DA.



High-performance drive technology: Simultaneous, rapid and precise movements thanks to servo motors with separate regulators.

AT A GLANCE

// Modularity is the distinguishing feature of our unique injection moulding technology. This also applies to the new addition to our robot family: the FLEXLIFT robot-system. FLEXLIFTs are designed to meet various customer needs from simple to complex, such as cavity-specific separation and handling of inserts. Everything else stays the same: we adapt our solutions to your precise needs by means of a variety of designs, special versions and practical configuration options. This is the only way to ensure highly efficient and cost-effective robotic technology. //

Highlights

- Wide product range and options
- EUROMAP 67 and OPC UA standard
- Control system – engineered by ARBURG
- Encapsulated design
- High-reliable servo motors

Advanced communication

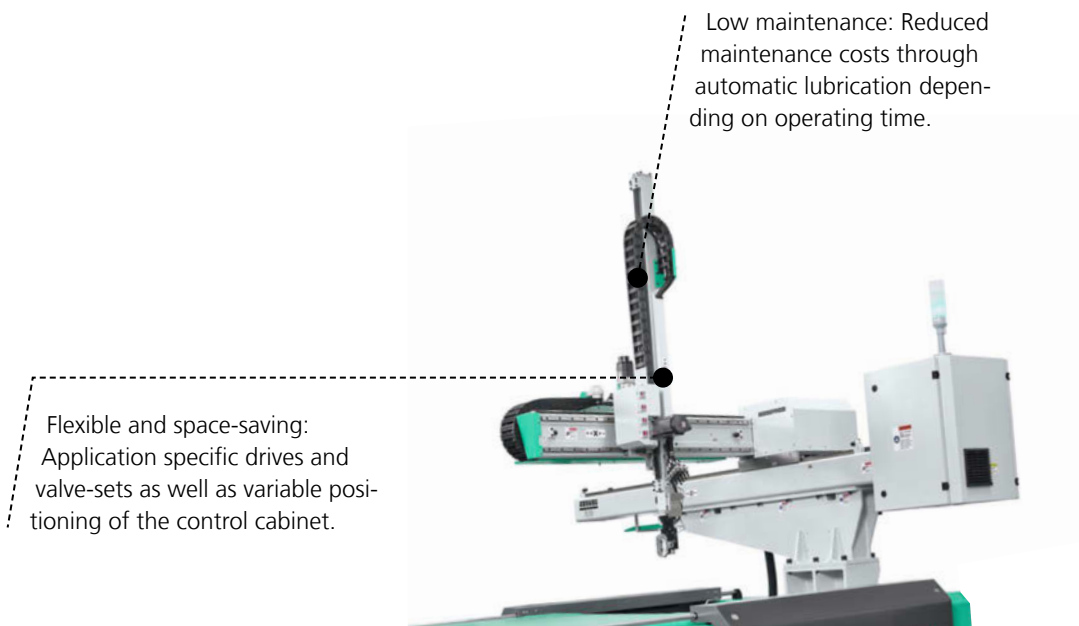
The FLEXLIFT robot system is integrated into the machine control system via the OPC UA communication standard. This communication platform creates ideal conditions for this with its manufacturer and language-independent technology. One dataset for machine and robot helps to save time and to increase reliability of your processes.

High flexibility

FLEXLIFT provides wide range of payload and optional selections to meet customers' requirements. The dynamic vertical axis enables even shorter mould entry times. Its telescopic design makes it suitable for small spaces. Also available: pneumatic and vacuum connections for end-of-arm tooling (EOAT) and peripheral interfaces. This means high flexibility and significant cost reduction.

High efficiency

Top quality and performance: we implement these principles consistently with our FLEXLIFTs. The robust, low-maintenance technology ensures a long service life and high availability. Our reliable servo motors reduce vibrations during high speed movements, thus ensuring accurate pick-up of the parts. Axis speeds can also be decreased when suitable in order to save energy and reduce wear.



TYPE	MOULD ENTRY	PAYLOAD	ALLROUNDER
FL 5	Vertical	5 kg	320 - 570
FL 5+2	Vertical	5 kg (+ 2 kg secondary arm)	320 - 570
FL 10	Vertical	10 kg	320 - 570
FL 10+2	Vertical	10 kg (+ 2 kg secondary arm)	320 - 570
FL 15	Vertical	15 kg	420 - 570
FL 15+2	Vertical	15 kg (+ 2 kg secondary arm)	420 - 570

PRODUCT RANGE: ALWAYS THE RIGHT CHOICE!

// You need to reliably separate sprues, remove parts without damaging them or prepare inserts for complex applications? A small installation height or mold safety is important for you? Thanks to the wide product range of our modular robotic systems, as well as our modular ALLROUNDERS, we always achieve perfectly fitting, complete solutions. High-end technology. Convincing cost-effectiveness. This is flexibility at its best. //

Reliable: Automatic lubrication ensures long life and high efficiency.

Energy-efficient drive technology.

ARBURG
FL10



Safety first: Three color alarm lamp positioned clearly visible in all working conditions.

Fast set-up and start-up: Convenient work processes thanks to internal absolute position measurement.



PRODUCT RANGE: ALWAYS THE RIGHT CHOICE!

// Are you looking for reliable communication between machine and robot? Do you require clean-room applications? You want to increase cost-efficiency? The FLEXLIFT robot is the perfect answer to all those questions. Our robot system is flexibly adaptable to your specific needs and is equipped with many features, for example for energy efficiency and clean-room usage. Its easy -use interface makes it the perfect start into the world of automation with ARBURG. //

Highlight: clean-room use

FLEXLIFT robot systems are suitable for clean-room use. FLEXLIFT assures that external dust and powder are restrained. Thus FLEXLIFT is suitable to medical industry and supports you to deliver high quality medical parts. The encapsulation design includes for example:

- Stainless steel cable support
- Dust collectors at the X-axis
- Dust collectors at the Y-axis
- Filter for the vacuum generator

Digitally ready

Simple, standardised networking – the OPC UA communication platform creates ideal conditions for this with its manufacturer and language-independent technology. And this is precisely what our flexible connectivity modules are based on: for process control without limits between ALLROUNDERS as well as the robot systems and all peripheral devices. Or to put it briefly: for practice-oriented digitalisation!

Connected robots

OPC UA is the EUROMAP standard for highly efficient data exchange within an injection moulding cell. For you, this means increased ease of use, for example through a shared data set for your machine and robotic system. With the FLEXLIFT robot systems we are already making it possible for you to use this technology for data integration today. And thanks to the open design of our switch cabinet, you are already prepared for extensions.

TASK	FLEXLIFT LINEAR ROBOTS
Remove finished parts/sprue	■
Remove finished part with function/force	■
Separate finished part	■
Stack finished part/set-down in pattern	■
Pick up insert	■
Pick up insert from pattern	■
Individual positioning of insert	■
2D operating zone	■

WITH OPC UA: ONE LANGUAGE FOR EVERYTHING!

Central management

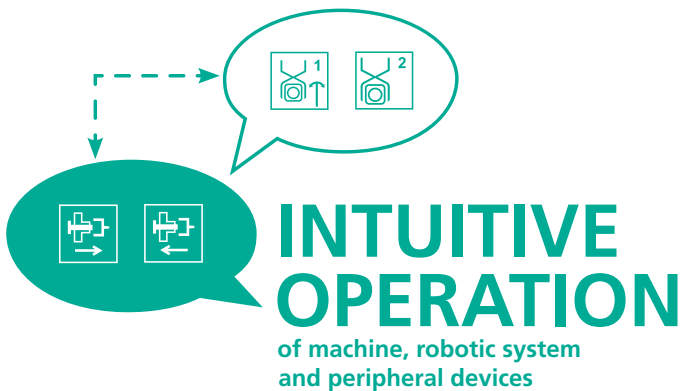
Switching mode, starting/stopping production, acknowledging alarms: universal actions for production units can be conveniently managed and monitored using the machine control system. The management of settings data is simpler than ever: there is only one data set for the entire production unit.

More efficient operation

Extended communication means more functionality. This is demonstrated for example:

- During coordinated movement to home position
- When separating random samples, good and reject parts
- When creating independent sequences for the first or last cycle

Compared to the EUROMAP connection, the operation of robot systems is simpler, faster and thus more efficient. This is particularly the case when it really counts: in complex processes, such as multi-component injection moulding or overmoulding of inserts.





Machine control system

Our standard: FLEXLIFT robots have extensive integration and movements are synchronisable. Common data record for the entire production unit.



Mobile control system

Easy to use: user interface based on our machine control system and programming style fitted for asian market.





Scan this code to visit our
Media Centre: in-depth,
captivating, entertaining.

ARBURG GmbH + Co KG
Arthur-Hehl-Strasse
72290 Lossburg
Tel.: +49 7446 33-0
www.arburg.com
contact@arburg.com

WIR SIND DA.

© 2024 ARBURG GmbH + Co KG | All data and technical information have been compiled with great care. However we accept no responsibility for correctness. Individual illustrations and information may deviate from the actual delivery condition of the machine. The relevant valid operating instructions are applicable for the installation and operation of the machine.