

# CUBE 1800

## Personal Care

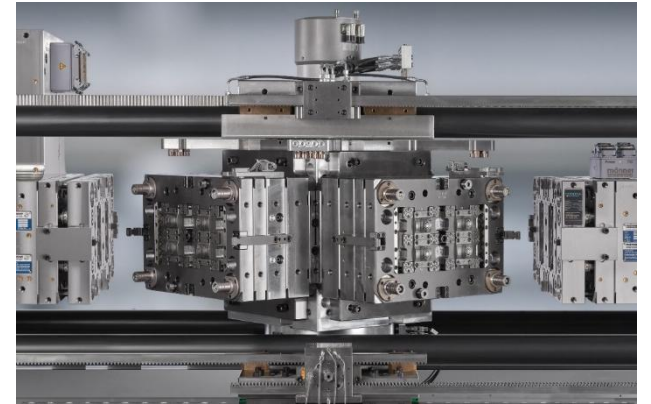
- Cube 1800 - 400 / 170
  - Part Cap
  - Cavities Cube Pilot-Mold 4+4
  - Cycle time 9s
  - Material PP, BJ368MO  
(available also with renewable and chemically recycled feedstock)
  - Part weight
    1. PP 0,85g
    2. PP 2,10g
  - Robot Kuka KR 20 R1810 Cybertech



# CUBE 1800

## Highlights

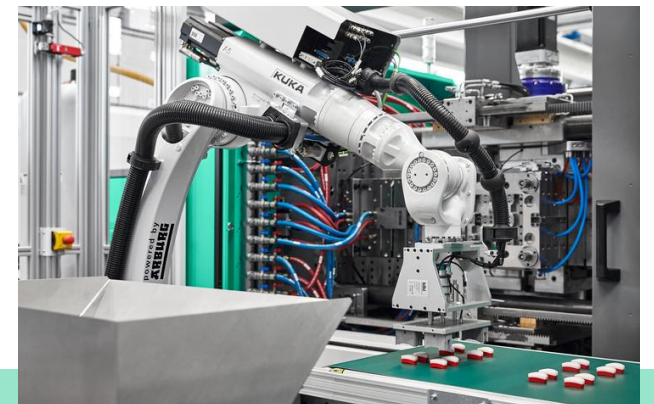
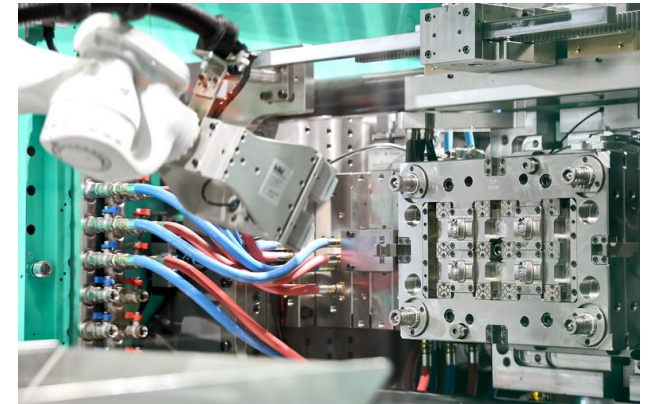
- Application expertise Cube Technology
  - Foboha Compact-Cube on Cube 1800
  - Broad field of applications
    - Medical
    - Health/Personal Care
    - Technical parts
  - Cycle time neutral part removal from the passive cube side parallel to injection



# CUBE 1800

## Highlight

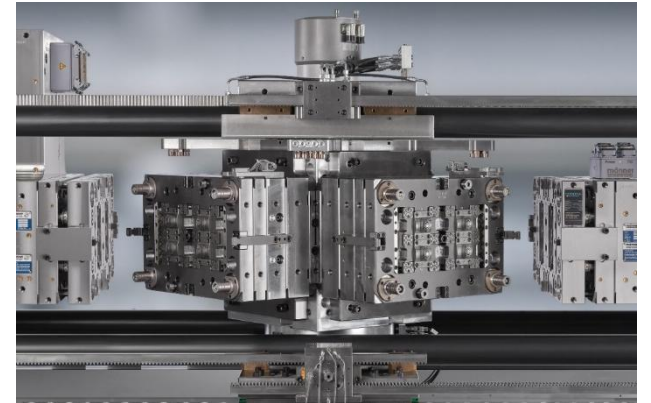
- Sequence production cell
  - Cube station 1 first shot
  - Cube station 2 cooling
  - Cube station 3 second shot
  - Cube station 4 removal and set down on conveyor belt
  - Request QS shot of the respective cube side (A/B/C/D) and deposit in tray
  - Monitored and safe part removal from the mould



# CUBE 1800

## Highlights

- Integrated production solution
  - Simple and fast start-up of the production system
  - SELOGICA control
    - One control system, one data set for machine and robot
  - Defined part placement in different positions



# CUBE 1800

- Cube 1800 - 400 / 170
  - Partner
  - Mold FOBOHA GmbH, D
  - Control GF Controls GmbH – Gammaflux, D
  - Material Borealis Polymers N.V., BE
  - EOAT kiki Ingenieurgesellschaft GmbH, D
  - QS kiki Ingenieurgesellschaft GmbH, D
  - Conveyor belt SCHUMA Maschinenbau GmbH, D