

ALLROUNDER 570 C

GOLDEN EDITION

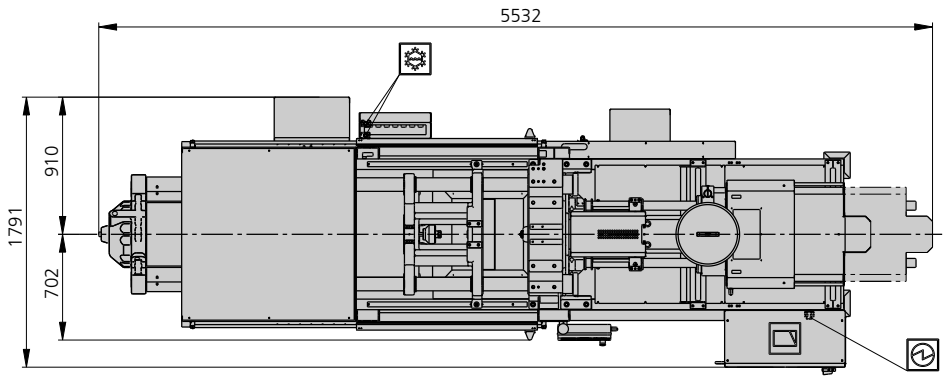
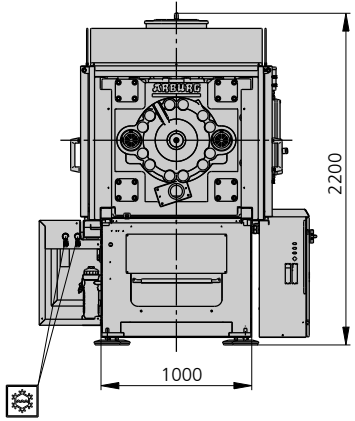
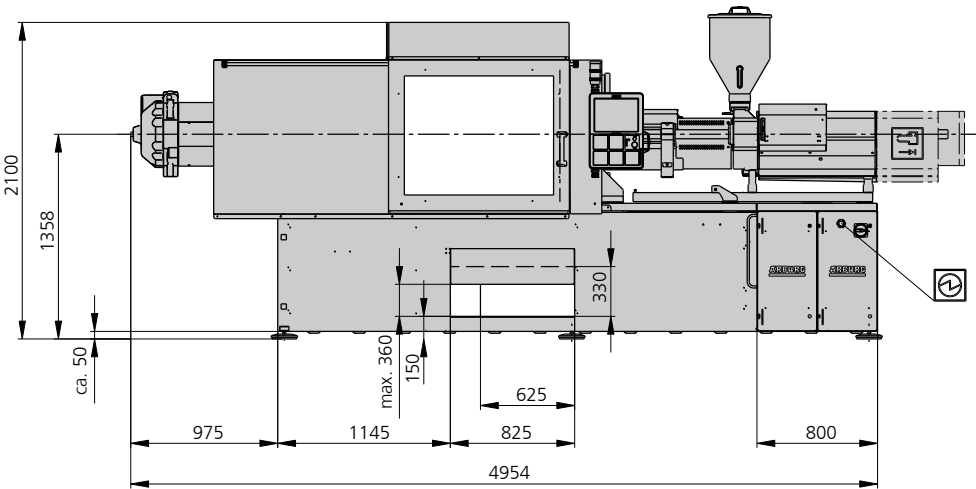
Distance between tie bars: 570 x 570 mm



Clamping force: 2000 kN

Injection unit (acc. to EUROMAP): 800

ARBURG

MACHINE DIMENSIONS | 570 C GOLDEN EDITION



-  Electrical connection
-  Cooling water connection

TECHNICAL DATA | 570 C GOLDEN EDITION

Clamping unit		570 C GOLDEN EDITION	
with clamping force	max. kN	2000	
Opening force stroke	max. kN mm	520 650	
Mould height, fixed variable	min. mm	300 ---	
Platen daylight fixed variable	max. mm	950 ---	
Distance between tie bars (w x h)	mm	570 x 570	
Mould mounting platens (w x h)	max. mm	795 x 795	
Weight of movable mould half	max. kg	1500	
Ejector force stroke	max. kN mm	66 225	
Dry cycle time EUROMAP ²	min. s - mm	2,6 - 399	

Injection unit		800		
with screw diameter	mm	45	50	55
Effective screw length	L/D	22	20	18
Screw stroke	max. mm	200		
Calculated stroke volume	max. cm ³	318	392	474
Shot weight	max. g PS	291	359	434
Material throughput	max. kg/h PS	46	53	59
	max. kg/h PA6.6	23	27	30
Injection pressure	max. bar	2470	2000	1650
Holding pressure	max. bar	2470	2000	1650
Injection flow ²	max. cm ³ /s	174	214	260
Screw circumferential speed ²	max. m/min	54	60	66
Screw torque	max. Nm	880		
Nozzle contact force retraction stroke	max. kN mm	70 400		
Heating capacity zones	kW	19,9 8		
Feed hopper	l	50		

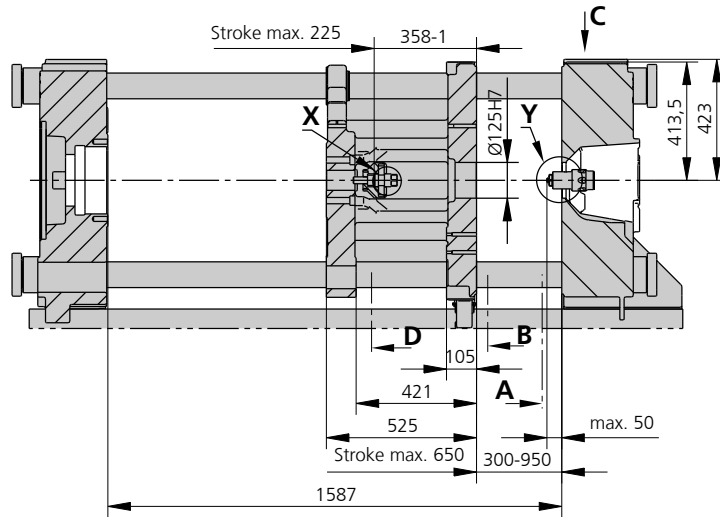
Drive and connection		2 pumps	
with injection unit		800	
Net weight of machine	kg	7450	
Sound press. level Insecurity ⁴	dB(A)	69 3	
Oil filling	l	290	
Drive power ²	max. kW	22	
Electrical connection ³	kW	45	
	Total	100	
	Machine	---	
	Heating	---	
Cooling water connection	max. °C	30	
	min. Δp bar	1,5 DN 25	

Machine type
with EUROMAP size designation ¹
570 C GOLDEN EDITION 2000-800

All specifications relate to the basic machine version. Deviations are possible depending on variants, process settings and material type. Depending on the drive, certain combinations, e.g. max. injection pressure and max. injection flow may be mutually exclusive.

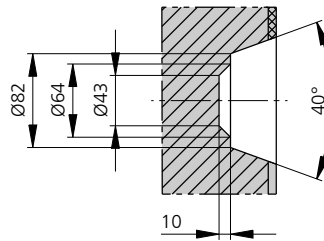
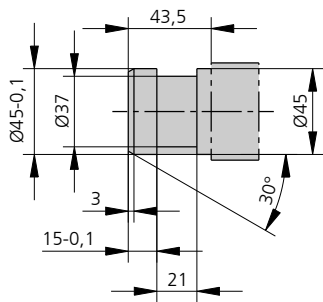
- 1) Clamping force (kN) - size of injection unit = max. stroke volume (cm³) x max. injection pressure (kbar)
 - 2) Specifications depend on the drive variant / drive configuration.
 - 3) Specifications relate to 400 V/50 Hz.
 - 4) Detailed info in the operating instr.
- [] Specifications apply to alternative equipment.

MOULD INSTALLATION DIMENSIONS | 570 C GOLDEN EDITION



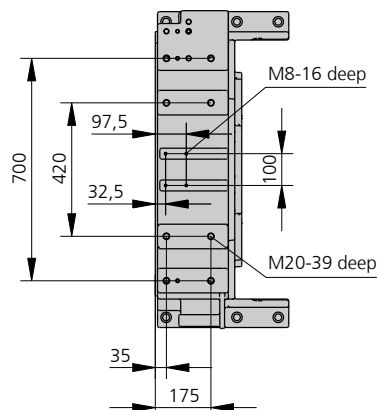
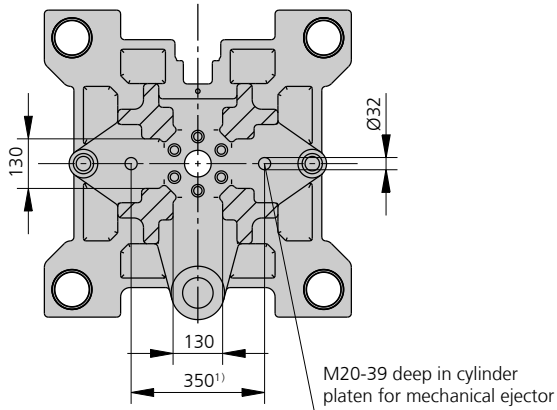
Ejector bolt | X

Bore in mould (if required) | Y



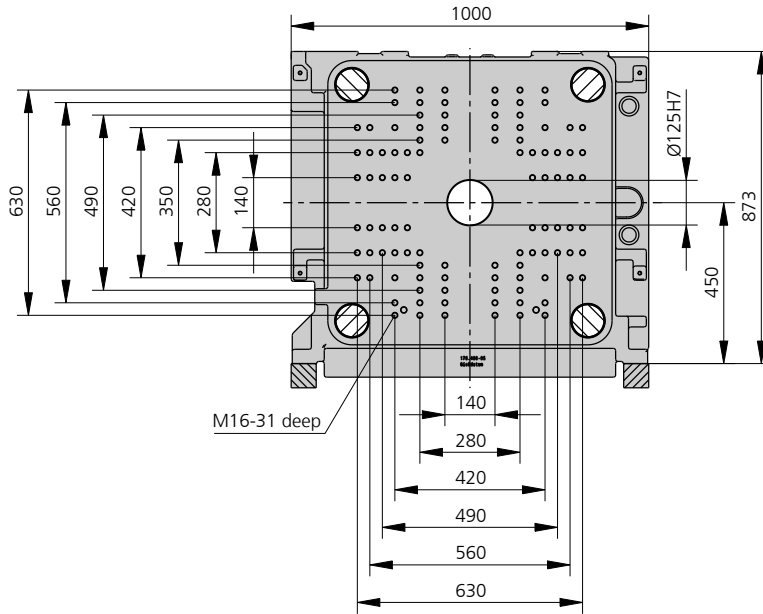
Ejector plate | D

Robotic system mounting | C

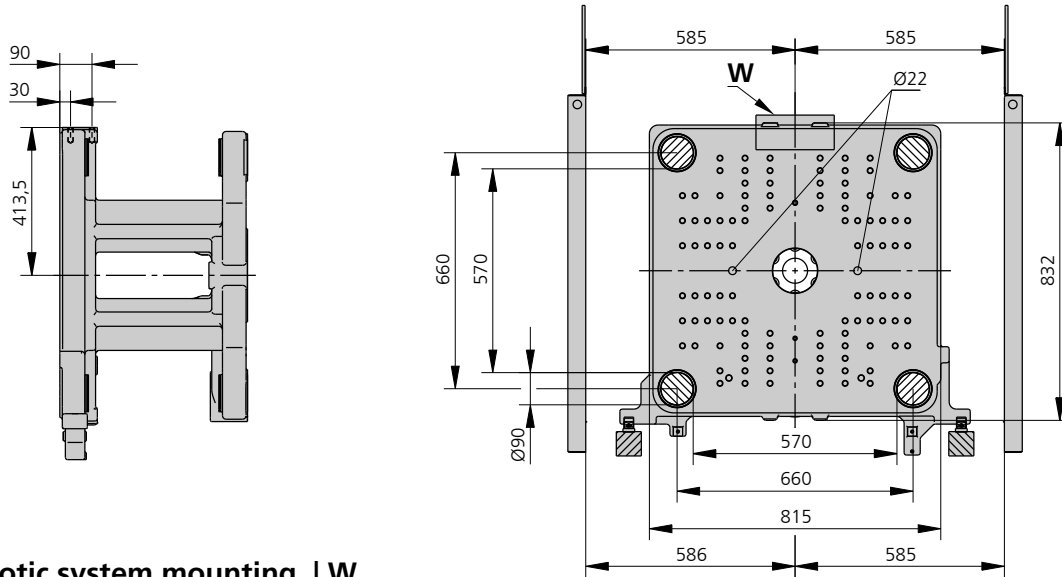


MOULD INSTALLATION DIMENSIONS | 570 C GOLDEN EDITION

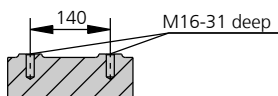
Fixed mould mounting platen | A



Moving mould mounting platen | B



Robotic system mounting | W



SHOT WEIGHTS | 570 C GOLDEN EDITION

Theoretical shot weights for the most important injection moulding materials

Injection units according to EUROMAP		800				
Screw diameter	mm	45	50	55		
Polystyrene	max. g PS	291	359	434		
Styrene heteropolymerizates	max. g SB	284	350	424		
	max. g SAN, ABS ¹⁾	278	344	416		
Cellulose acetate	max. g CA ¹⁾	327	404	488		
Celluloseacetobutyrate	max. g CAB ¹⁾	304	375	454		
Polymethyl methacrylate	max. g PMMA	300	371	449		
Polyphenylene ether, mod.	max. g PPE	270	333	403		
Polycarbonate	max. g PC	305	377	456		
Polysulphone	max. g PSU	316	390	471		
Polyamides	max. g PA 6.6 PA 6 ¹⁾	289	357	431		
	max. g PA 6.10 PA 11 ¹⁾	270	333	403		
Polyoximethylene (Polyacetal)	max. g POM	359	443	536		
Polyethylene terephthalate	max. g PET	346	427	517		
Polyethylene	max. g PE-LD	219	271	328		
	max. g PE-HD	227	280	339		
Polypropylene	max. g PP	232	286	346		
Fluoropolymerides	max. g FEP, PFA, PCTFE ¹⁾	465	574	695		
	max. g ETFE	408	504	609		
Polyvinyl chloride	max. g PVC-U	351	434	525		
	max. g PVC-P ¹⁾	324	401	485		

1) average value

ARBURG GmbH + Co KG
 Arthur-Hehl-Strasse
 72290 Lossburg
 Tel.: +49 7446 33-0
 www.arburg.com
 contact@arburg.com